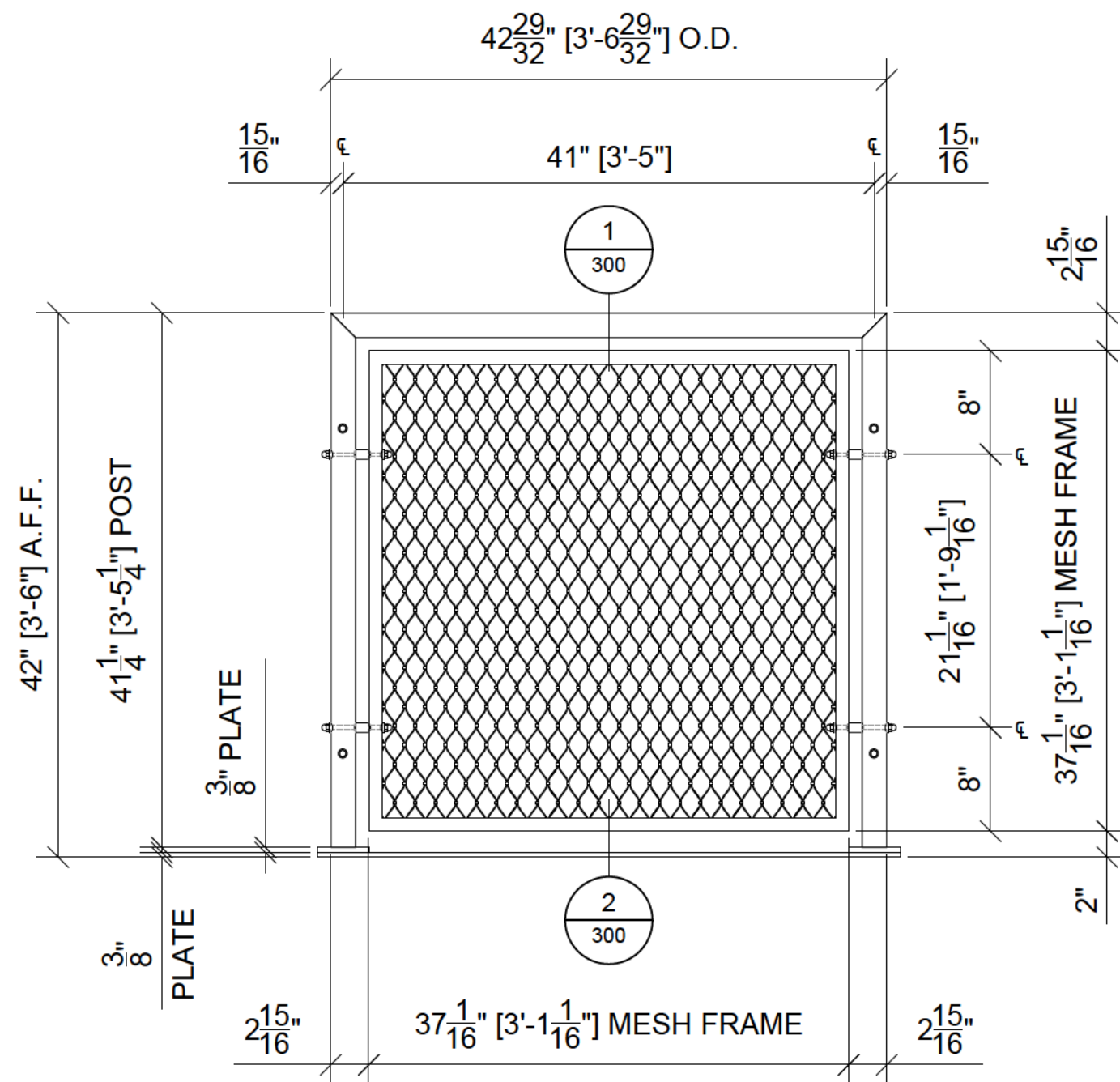


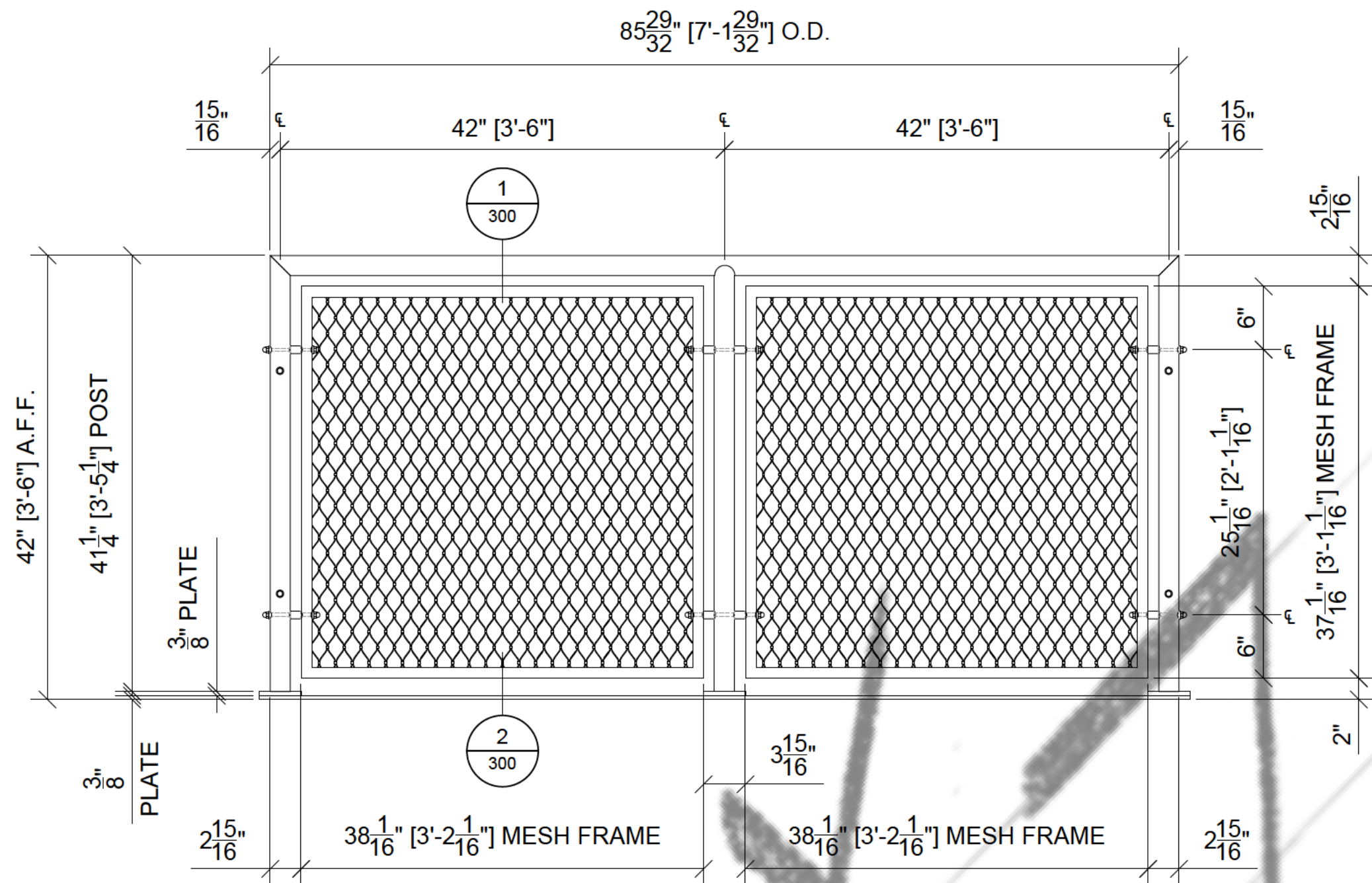
2 ENLARGED STAIR 'A' & 'B' FLOOR PLAN

| | |
|----------|---------------------|
| TITLE: | ENLARGED FLOOR PLAN |
| SCALE: | 1 1/2" = 1'-0" |
| SHEET #: | 101 |

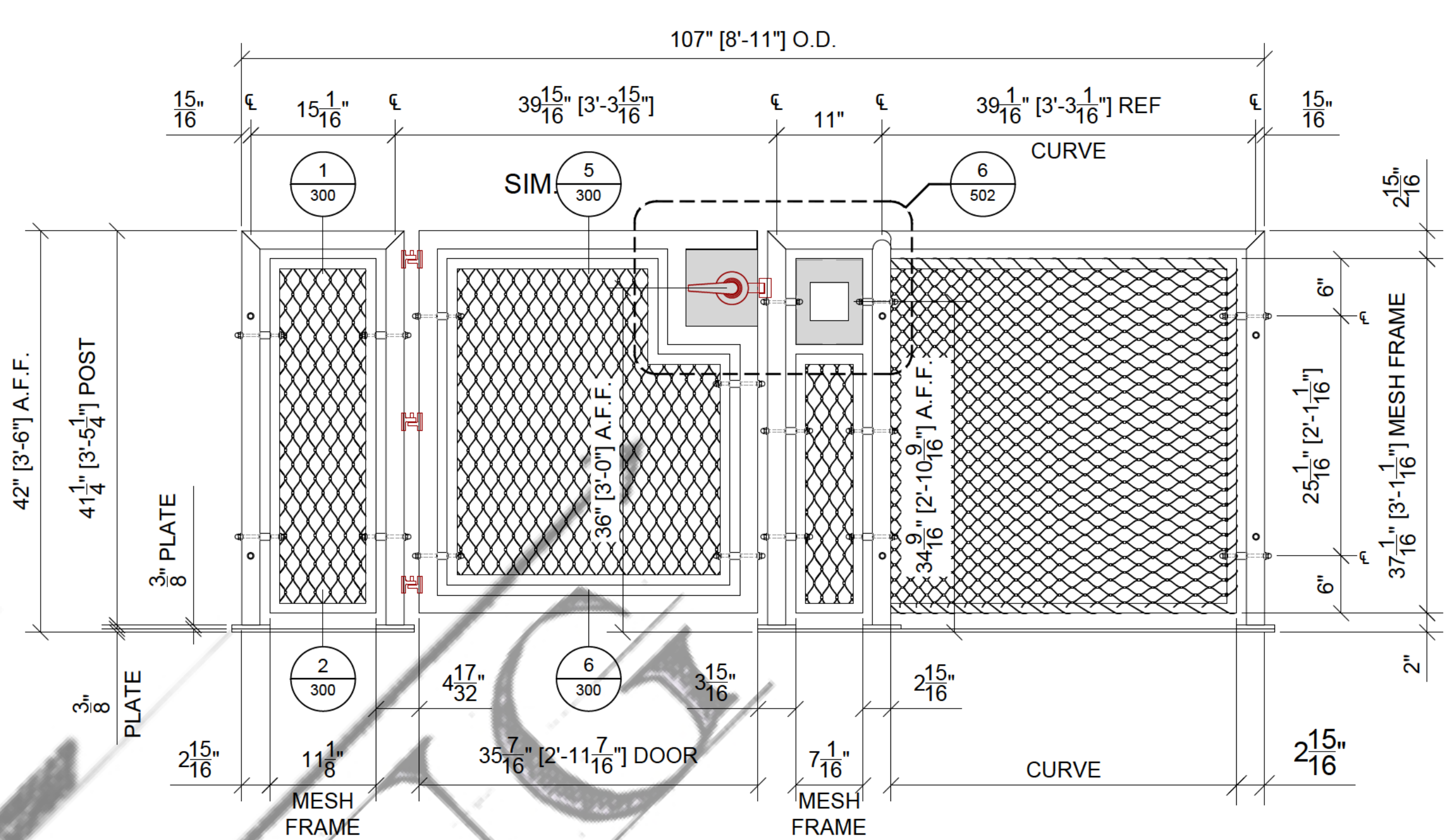
SAMPLE DRAWINGS



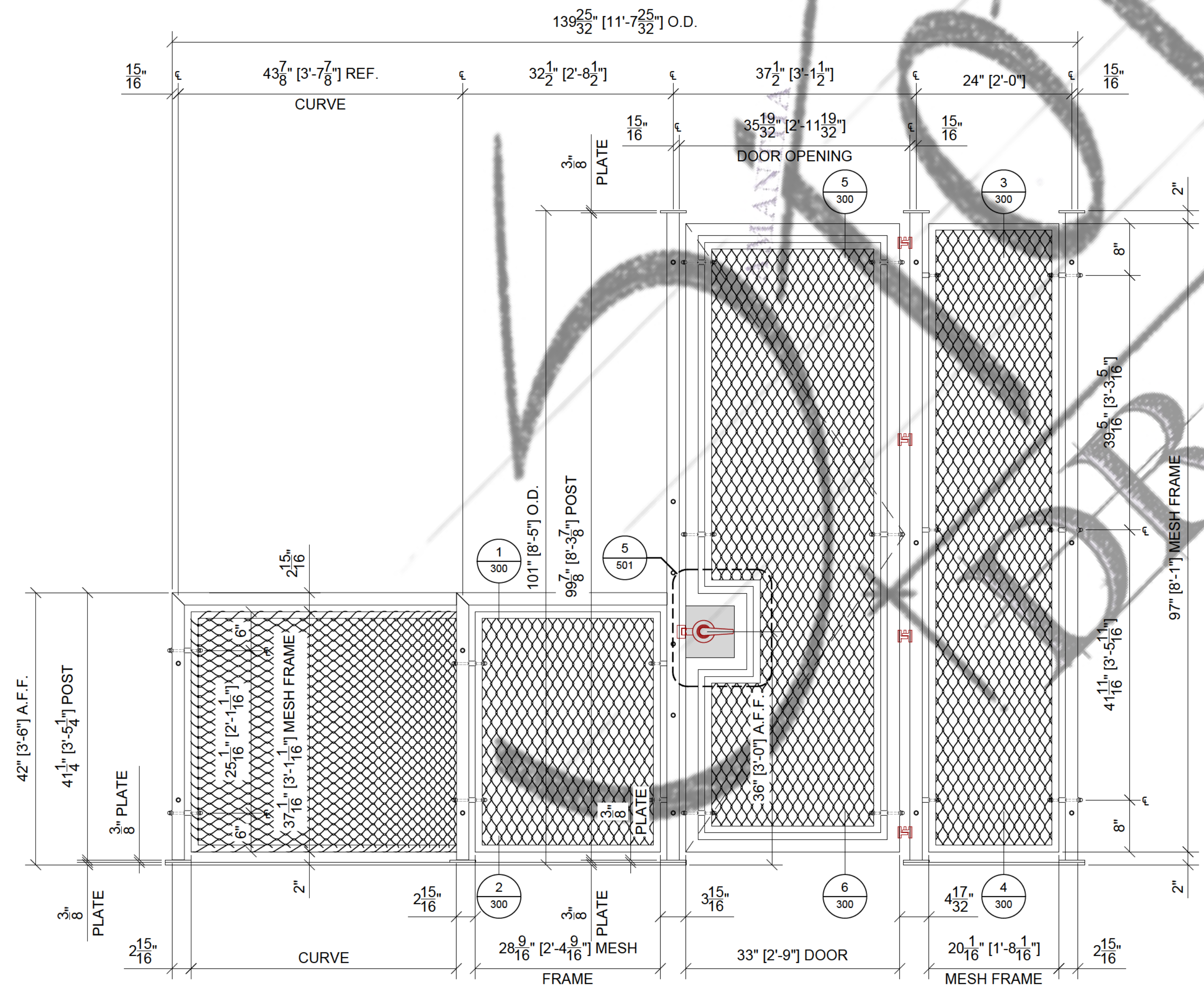
1 RAILING ELEVATION



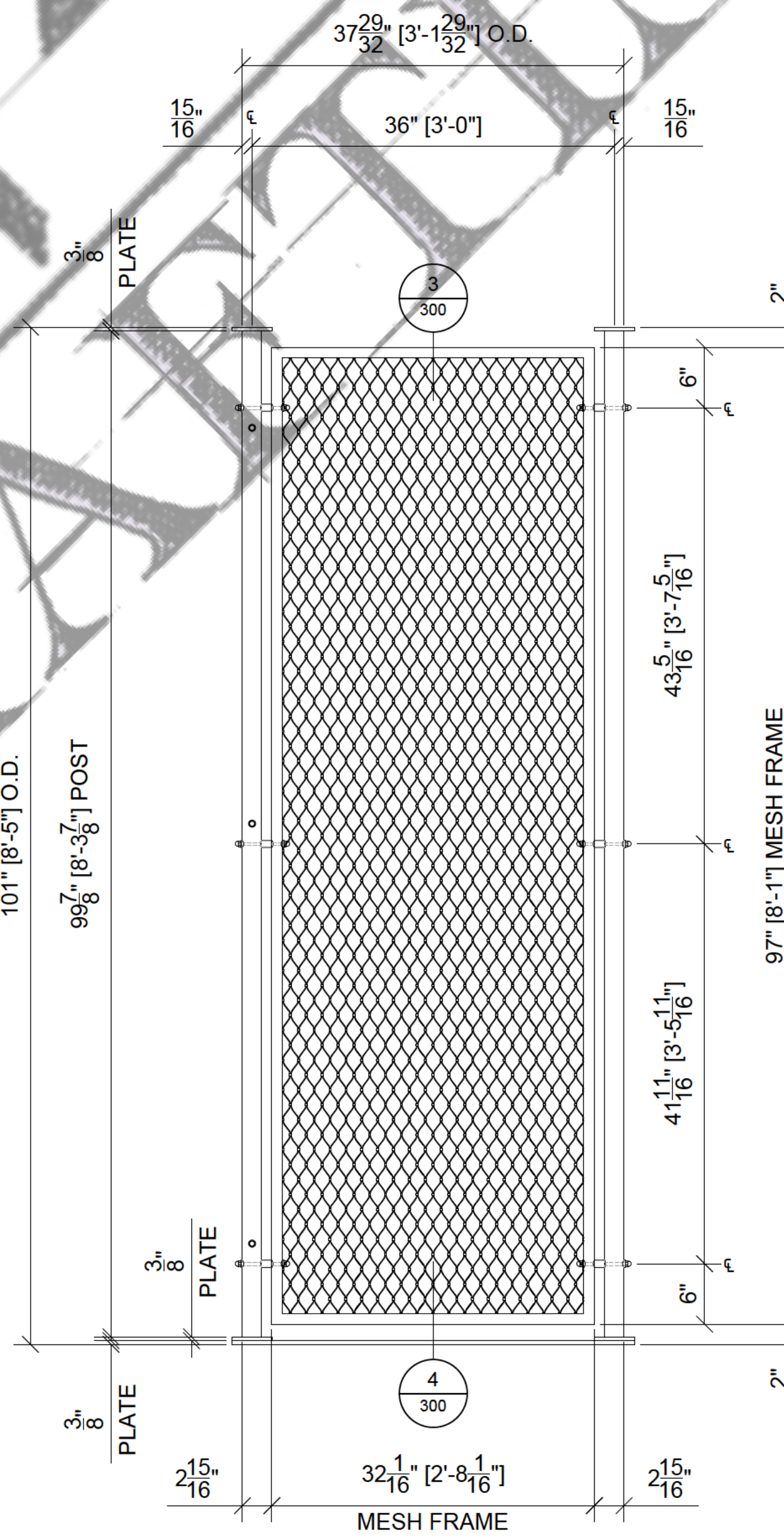
2 RAILING ELEVATION



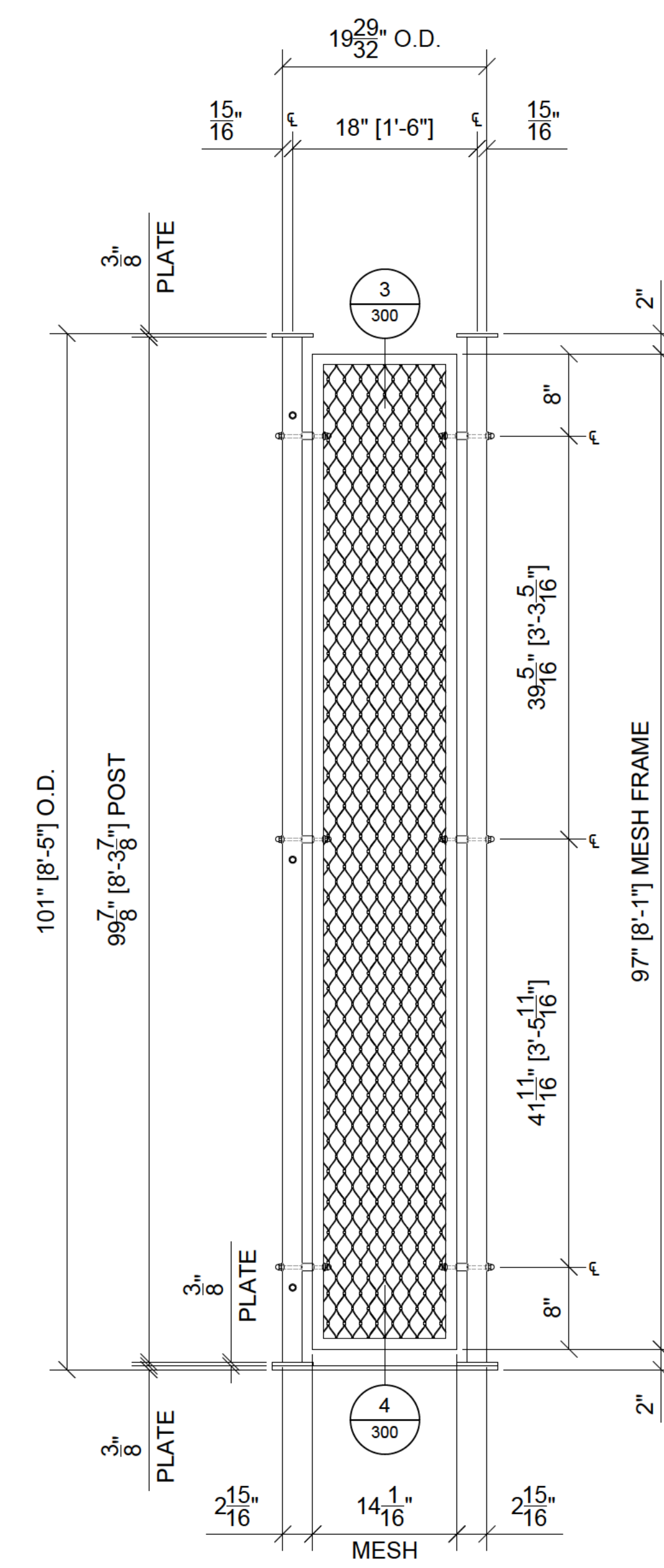
3 RAILING ELEVATION



4 RAILING ELEVATION



5 RAILING ELEVATION

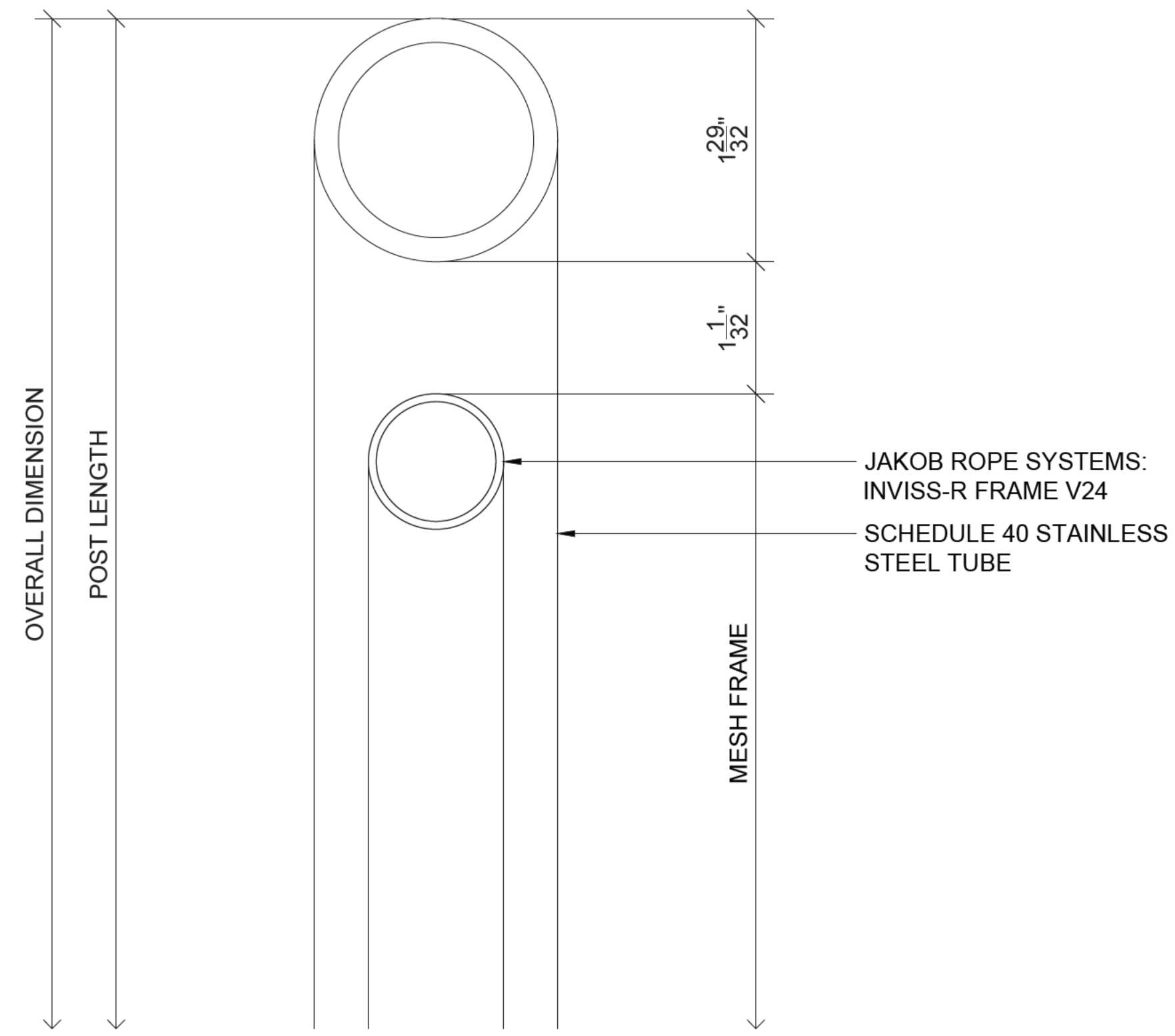


6 RAILING ELEVATION

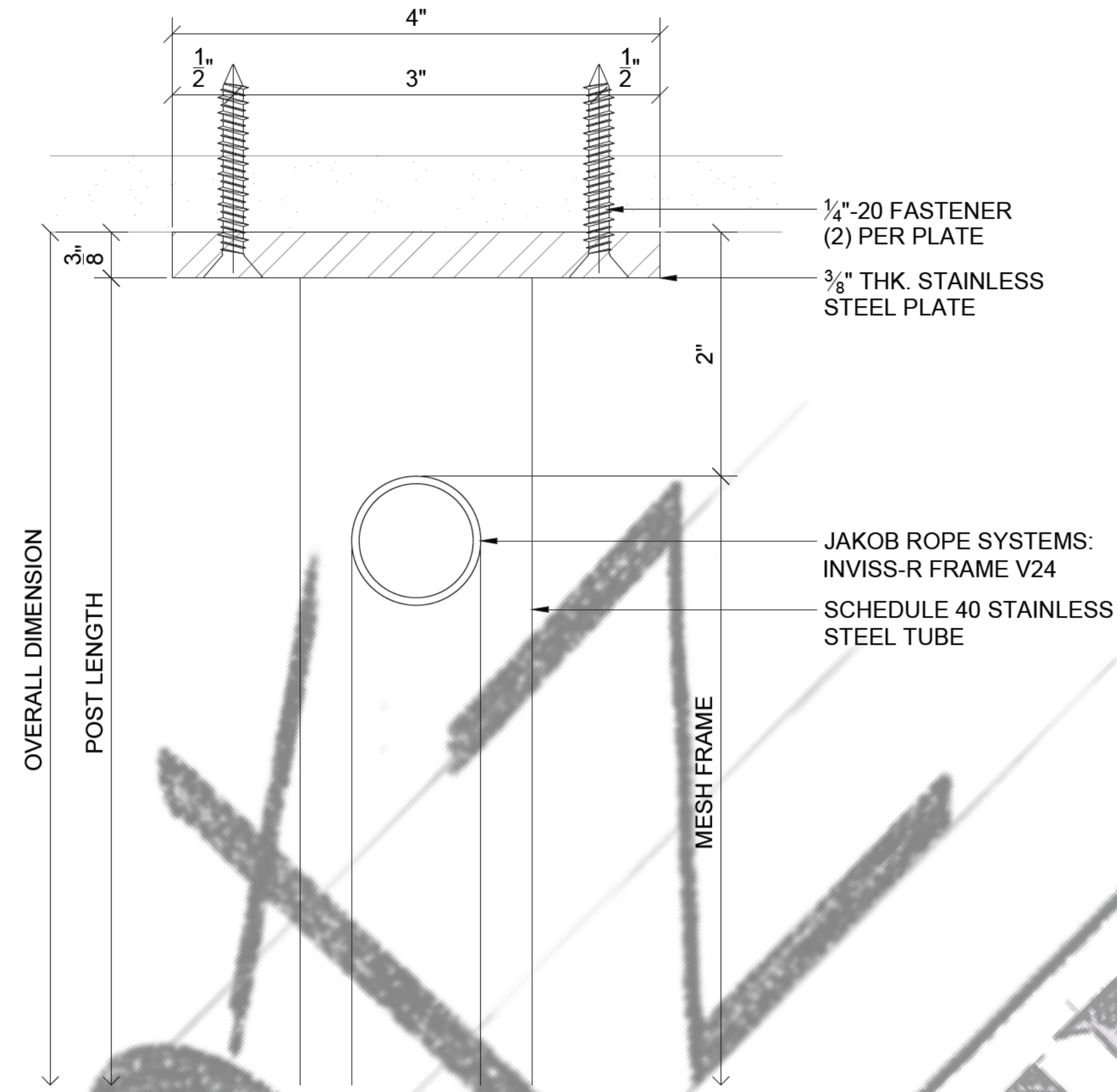
SAMPLE DRAWINGS

| | |
|----------|------------|
| TITLE: | ELEVATIONS |
| SCALE: | 1" = 1'-0" |
| SHEET #: | 200 |

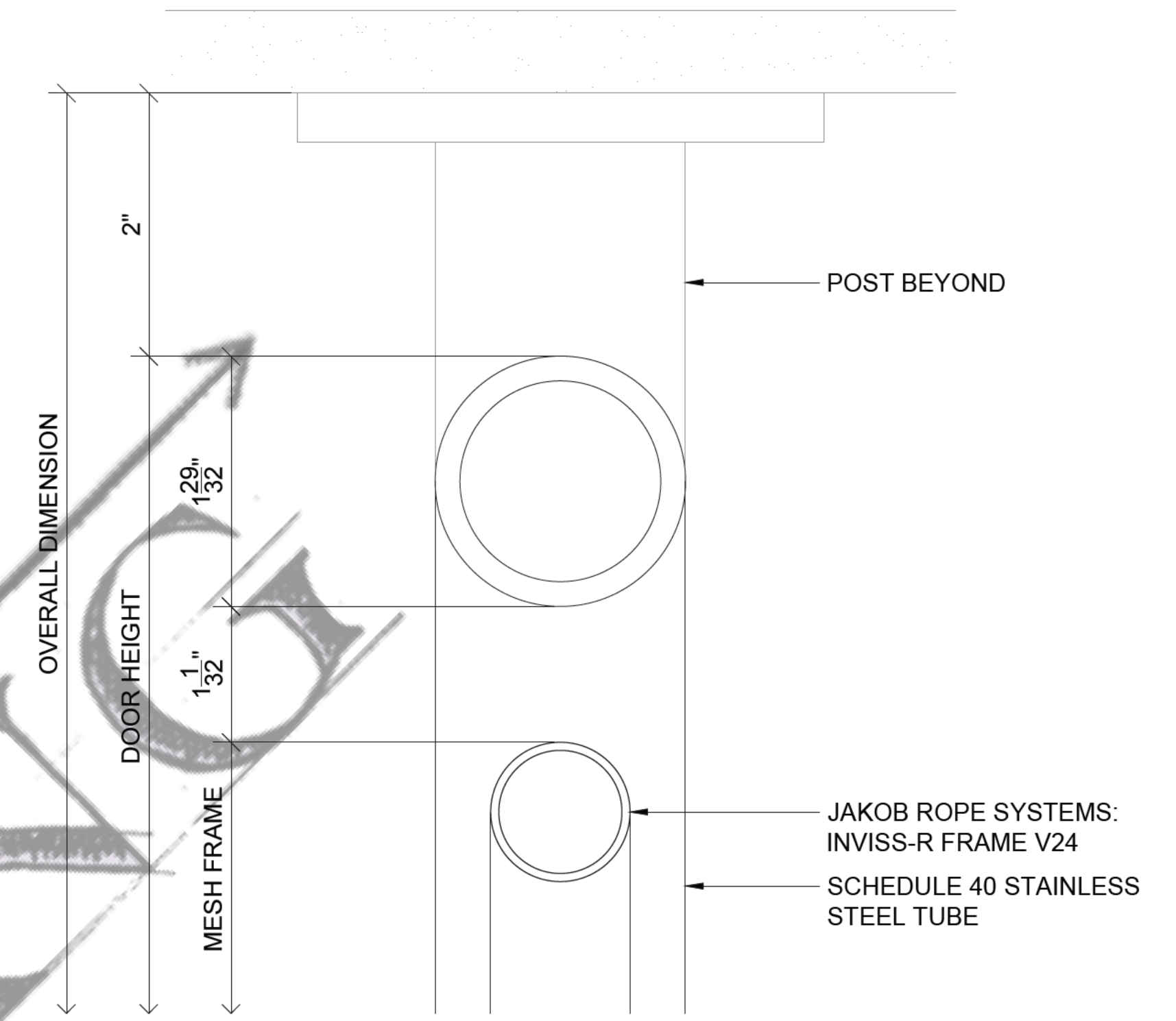
1



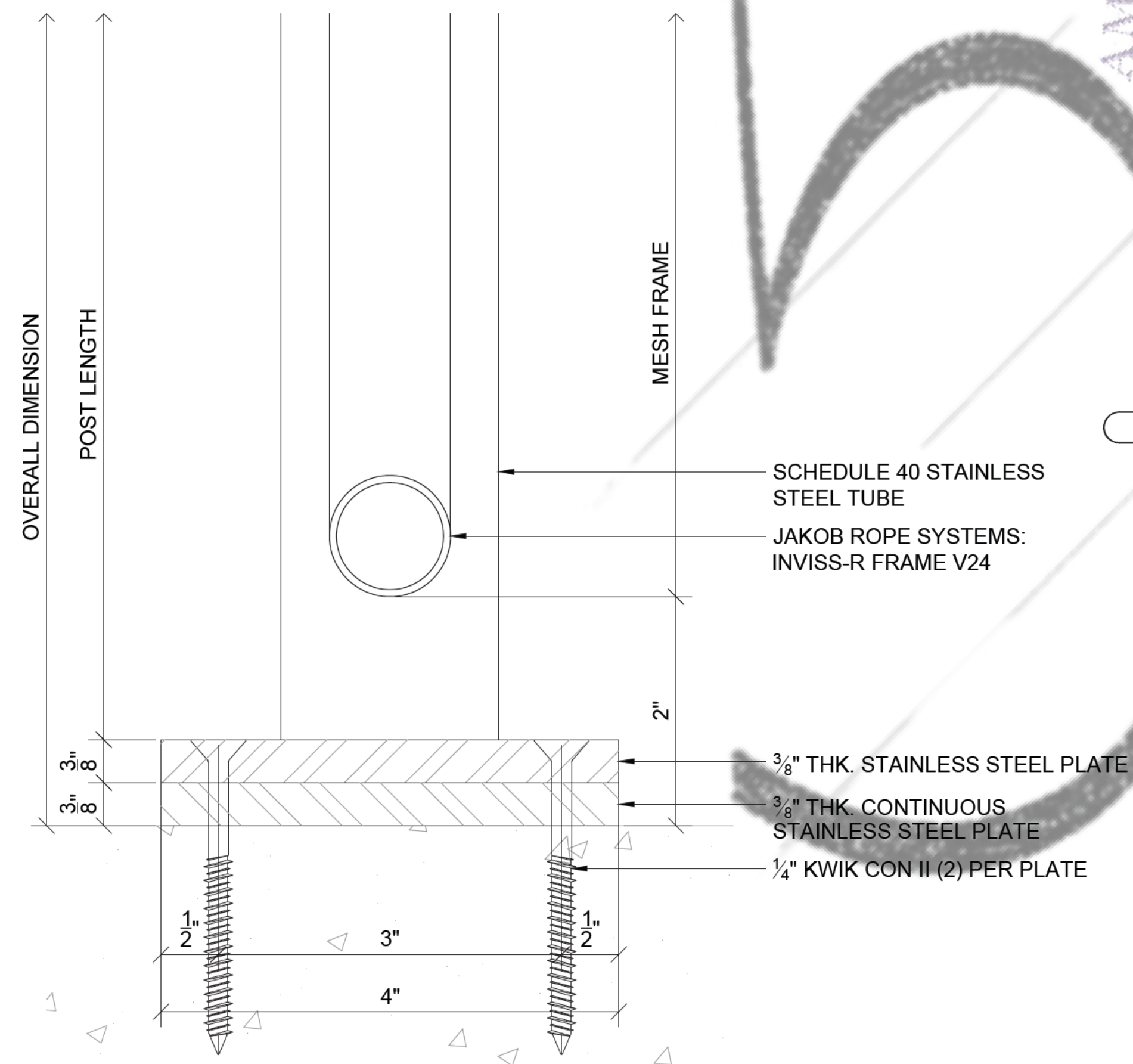
3



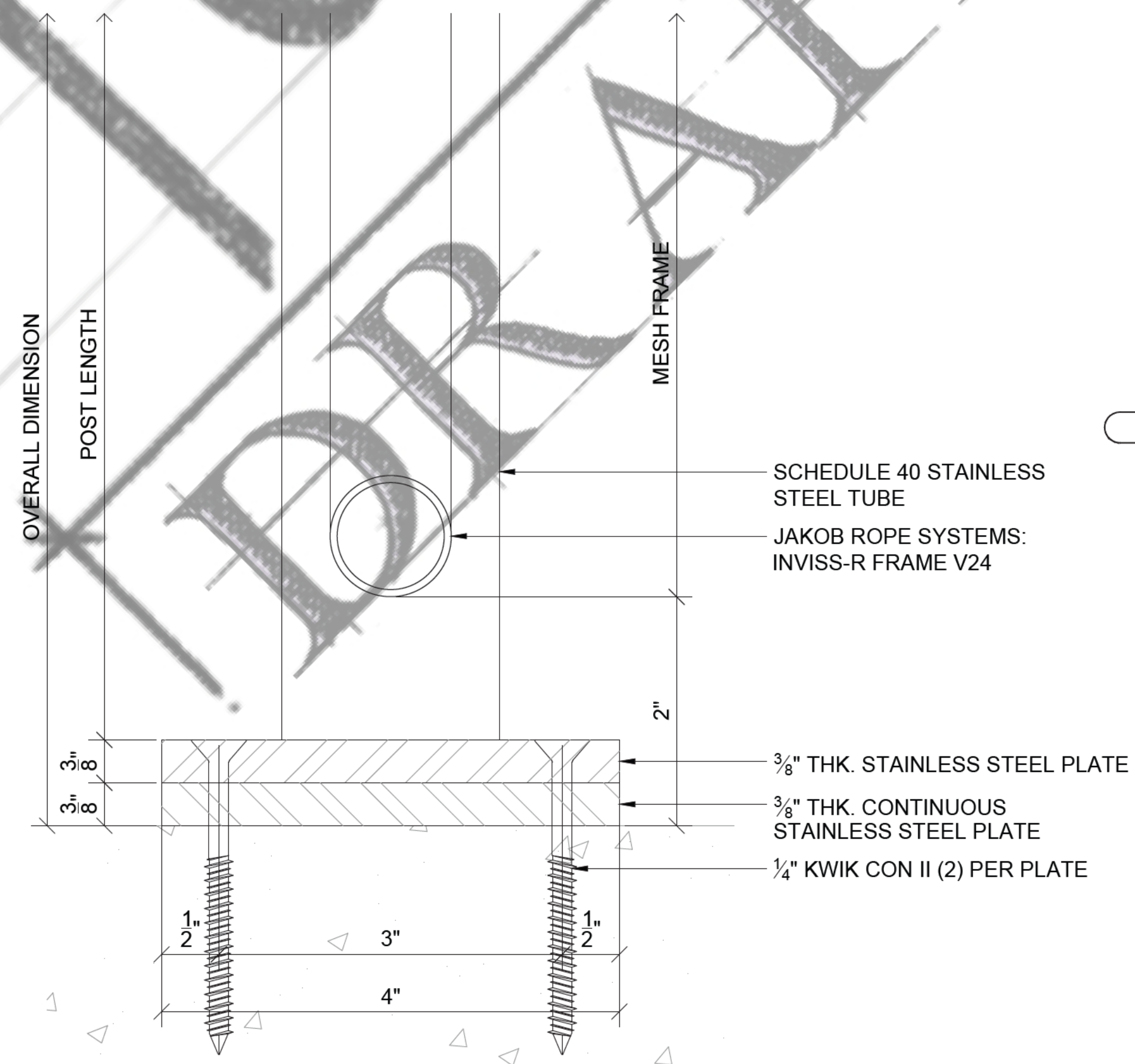
5



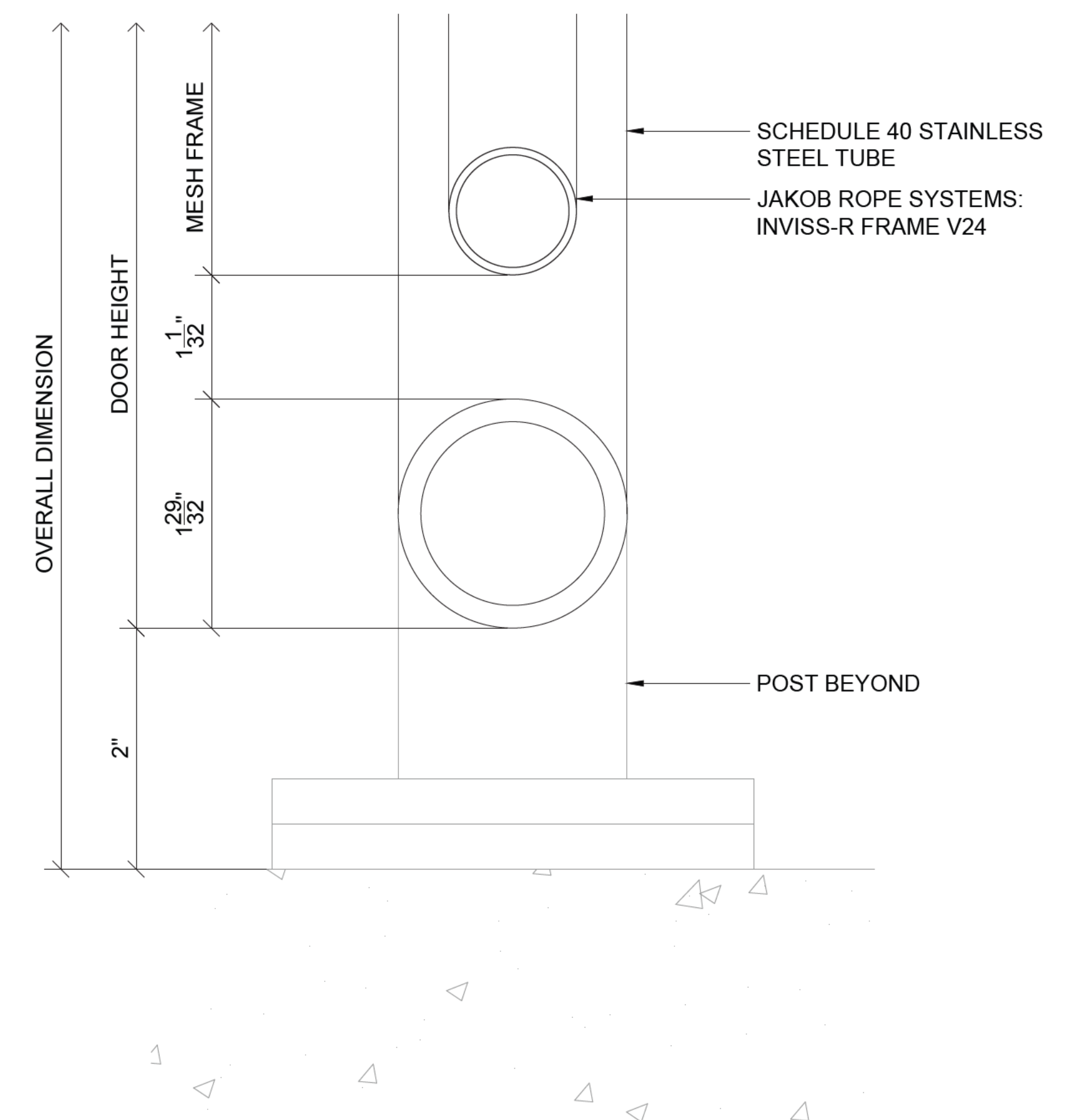
2



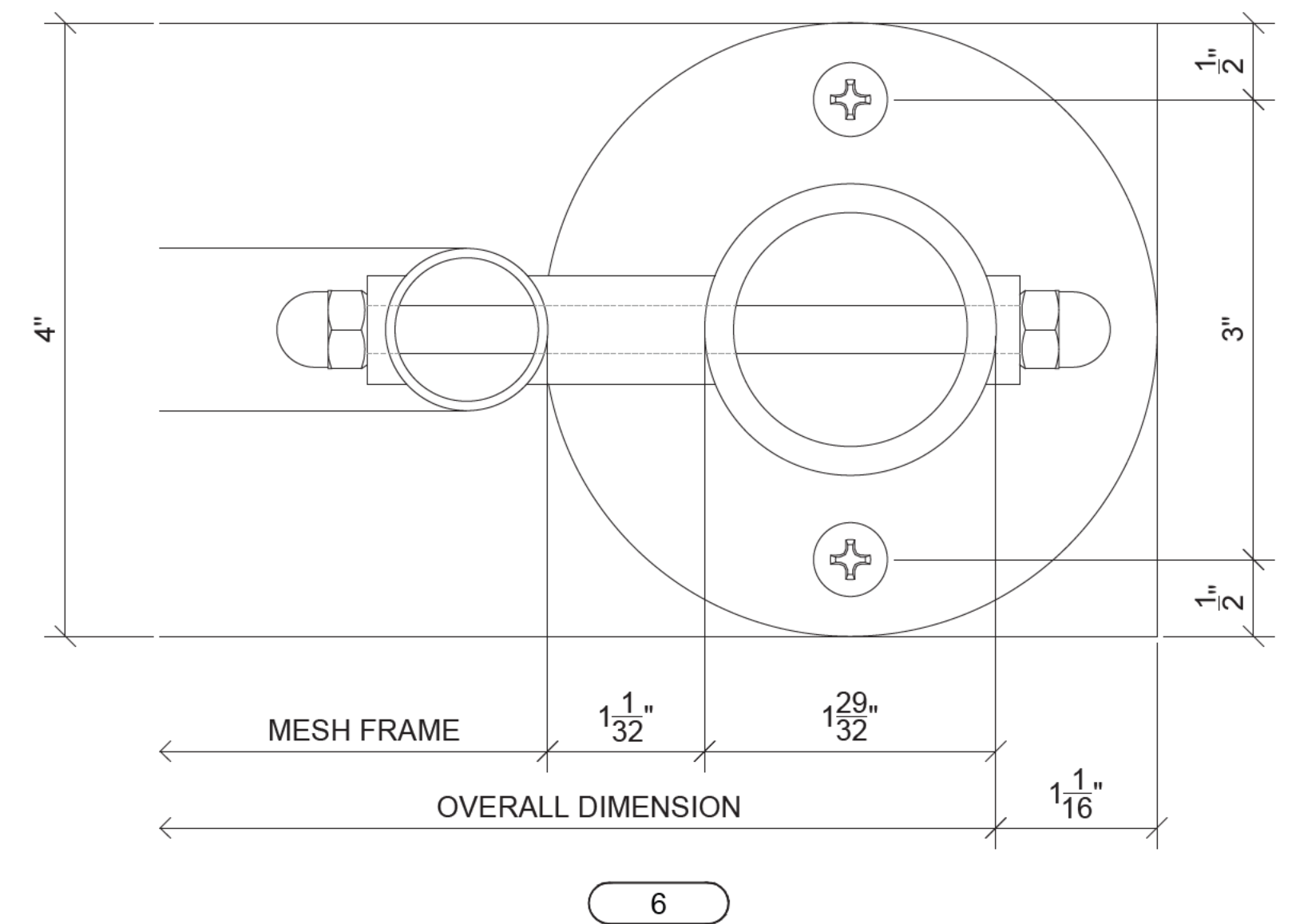
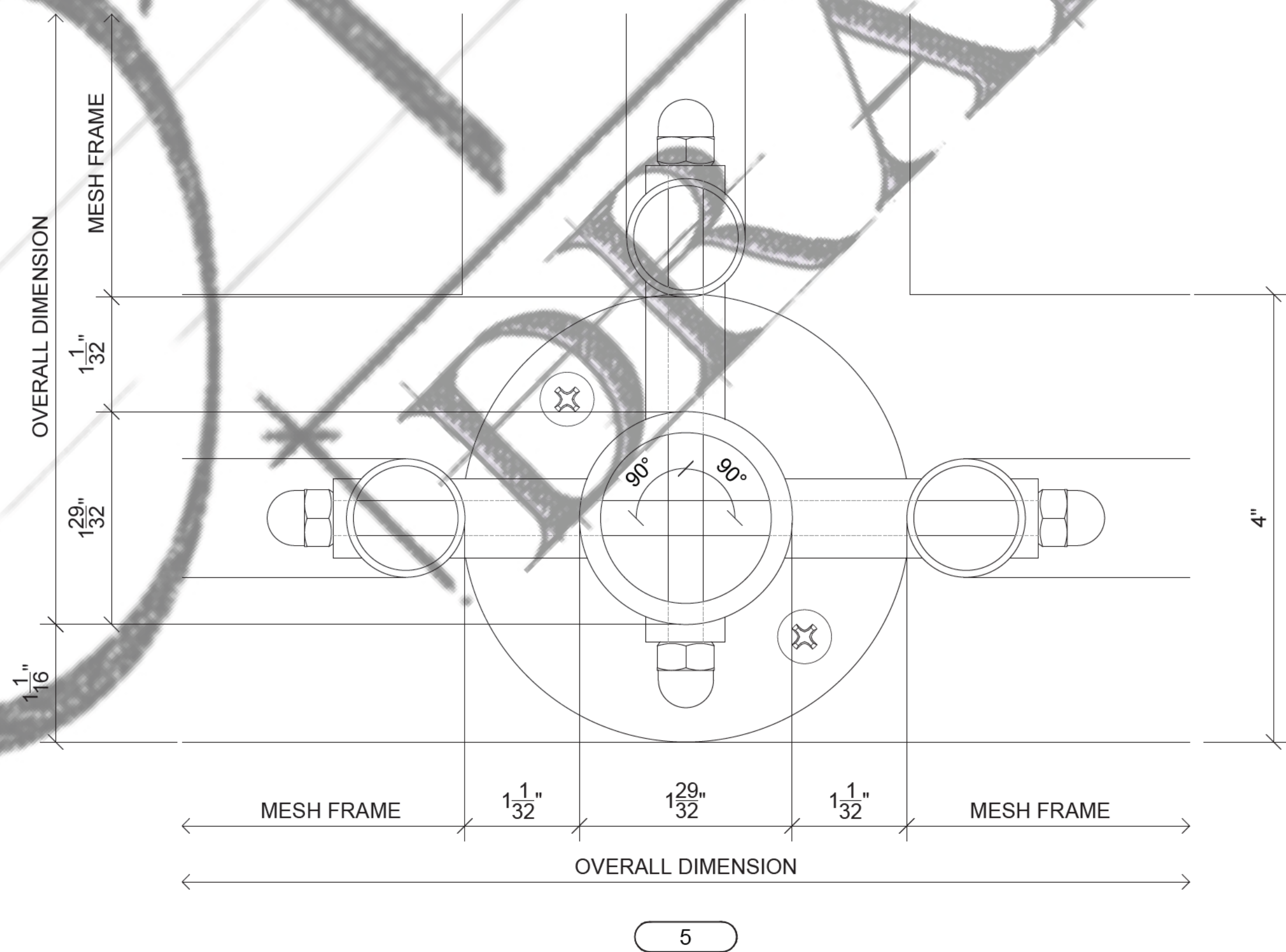
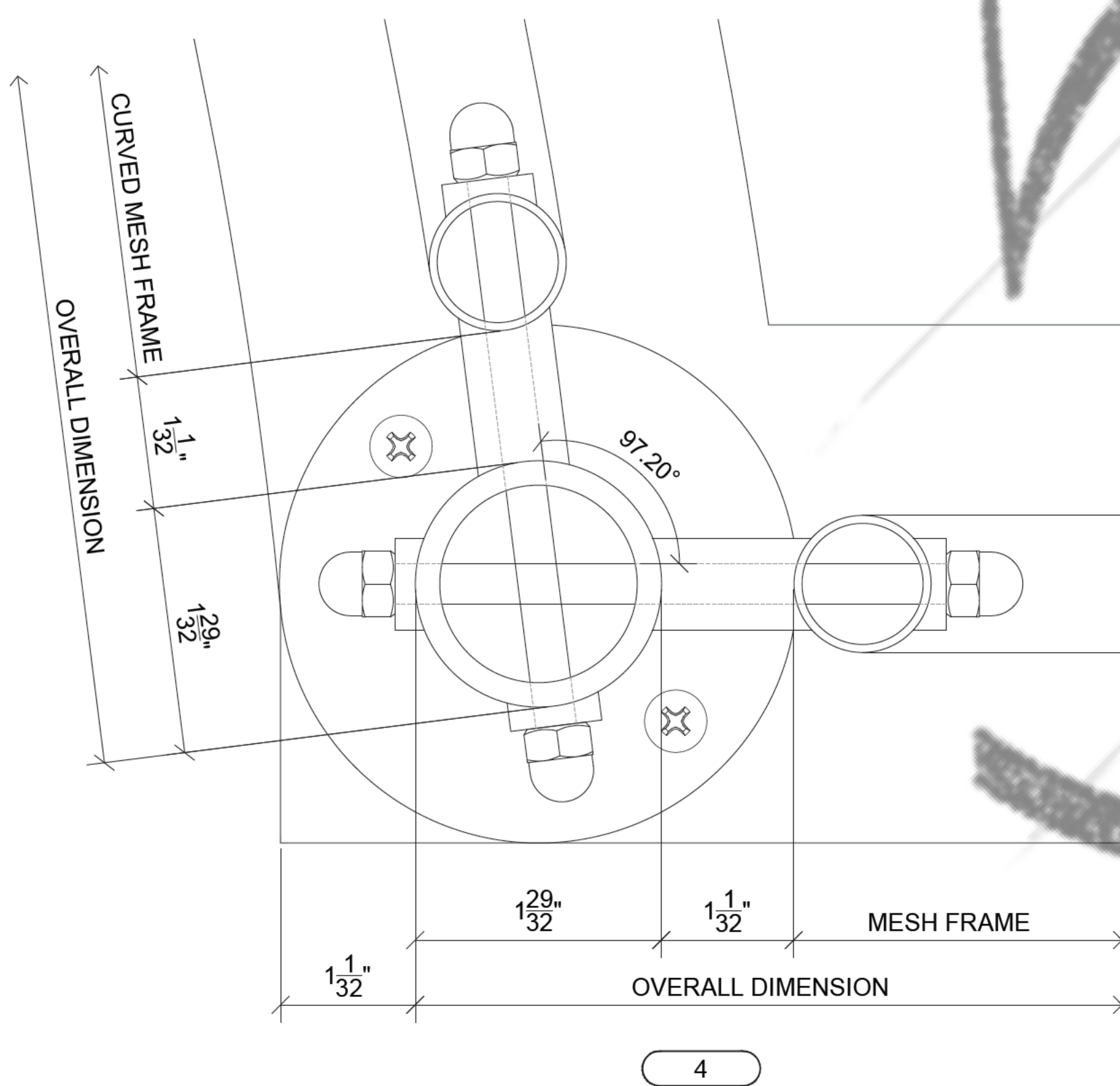
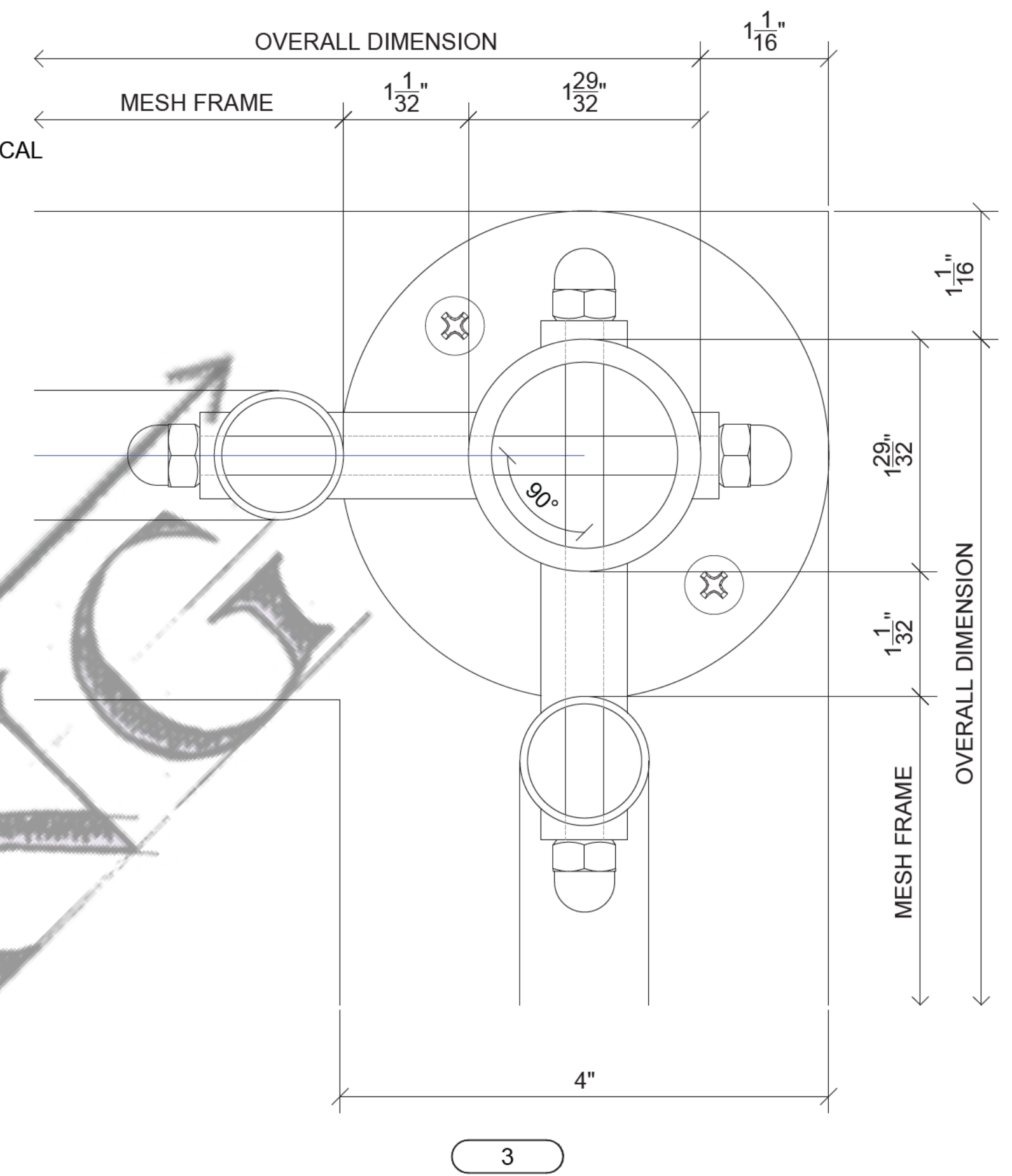
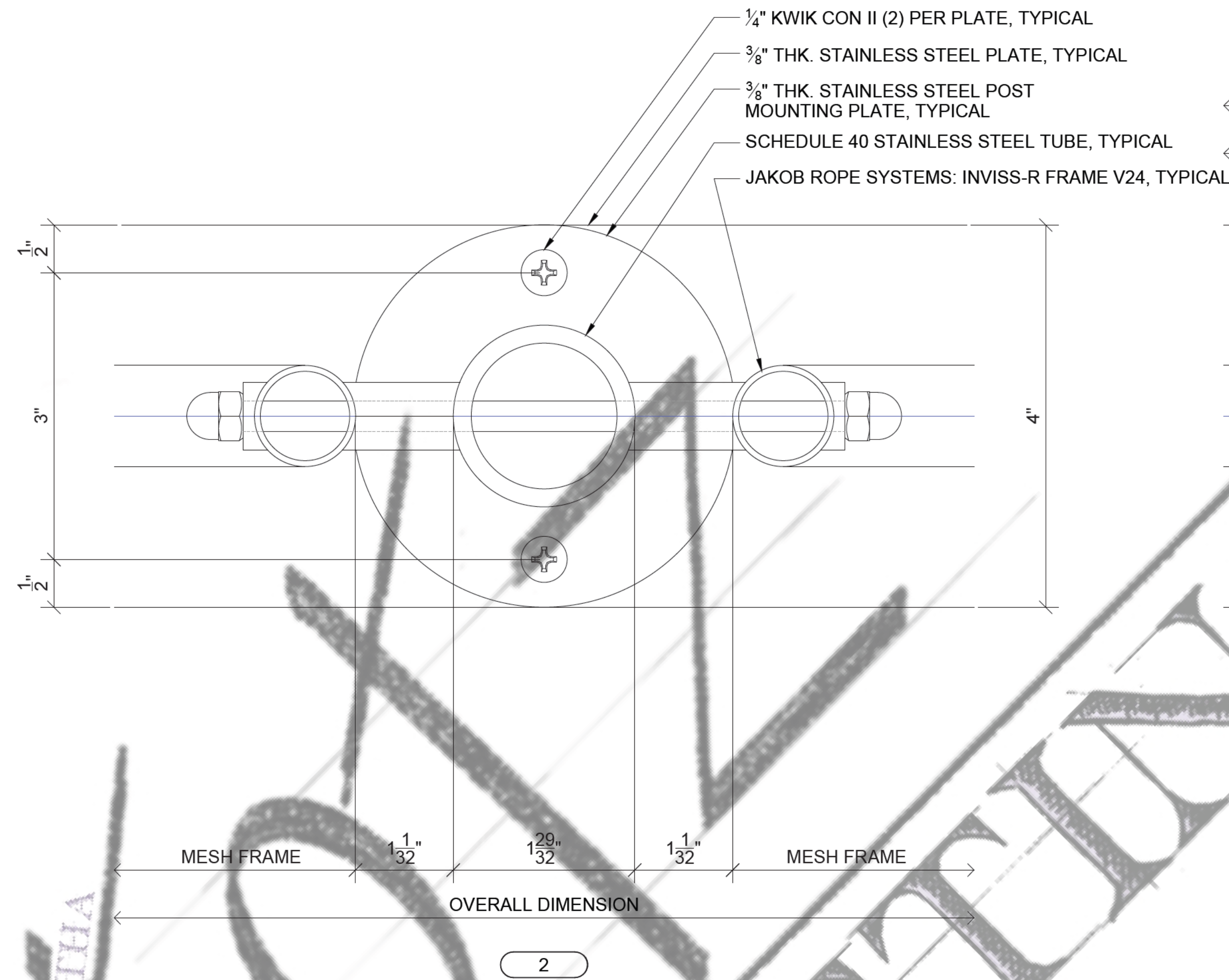
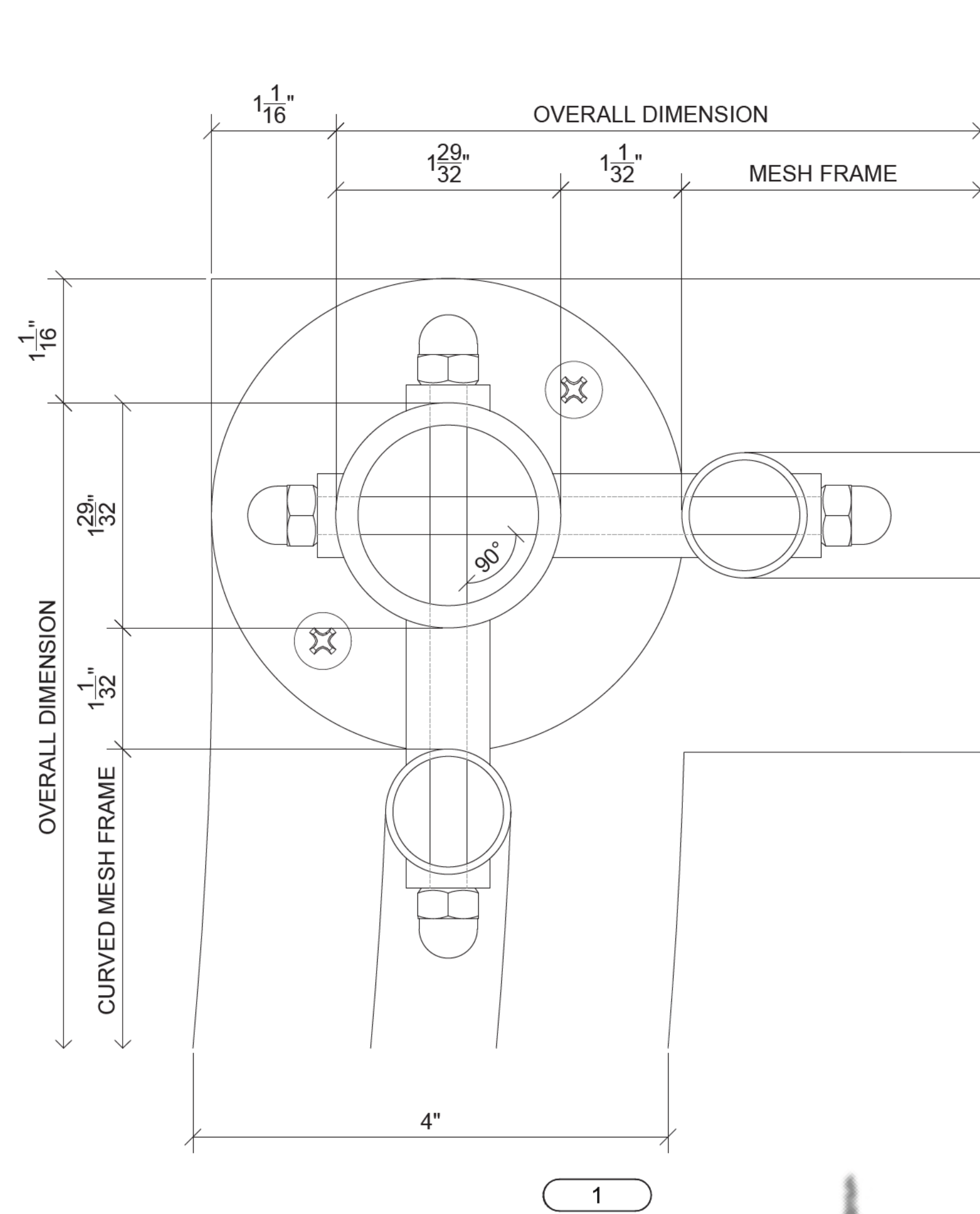
4



6



SAMPLE DRAWINGS



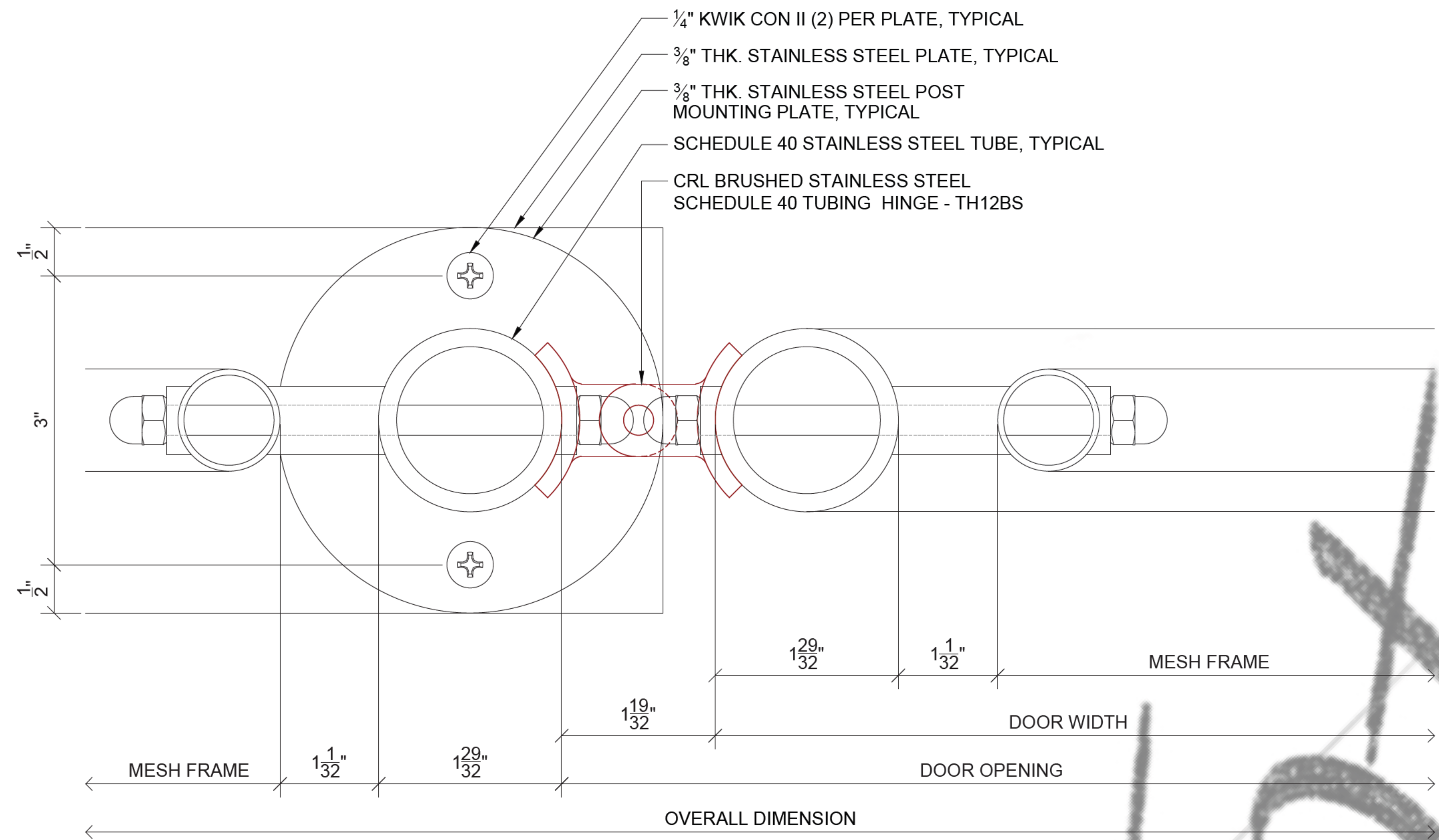
SAMPLE DRAWINGS

TITLE:

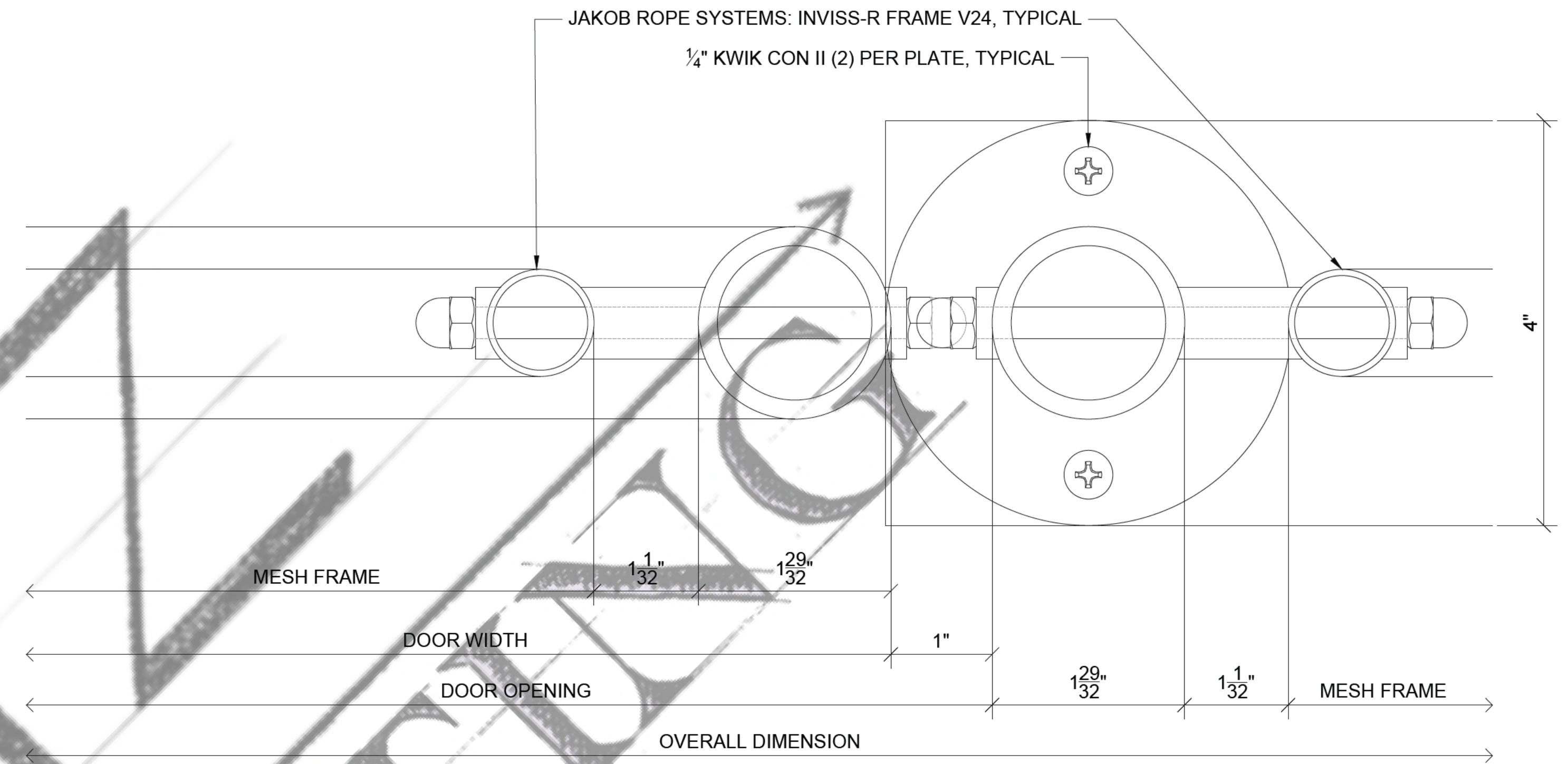
VERTICAL DETAILS

SCALE: 1'-0" = 1'-0"

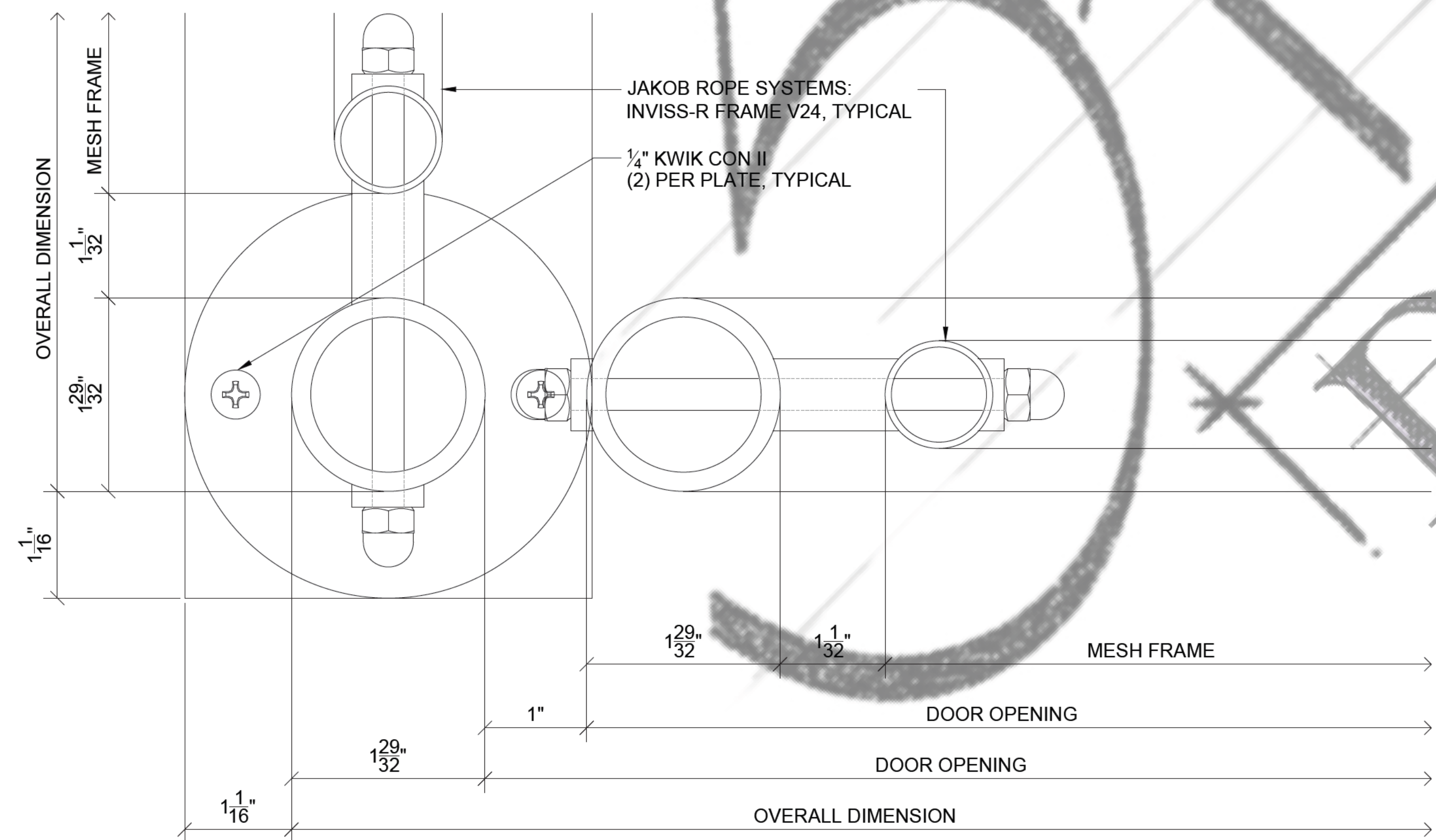
SHEET #: 400



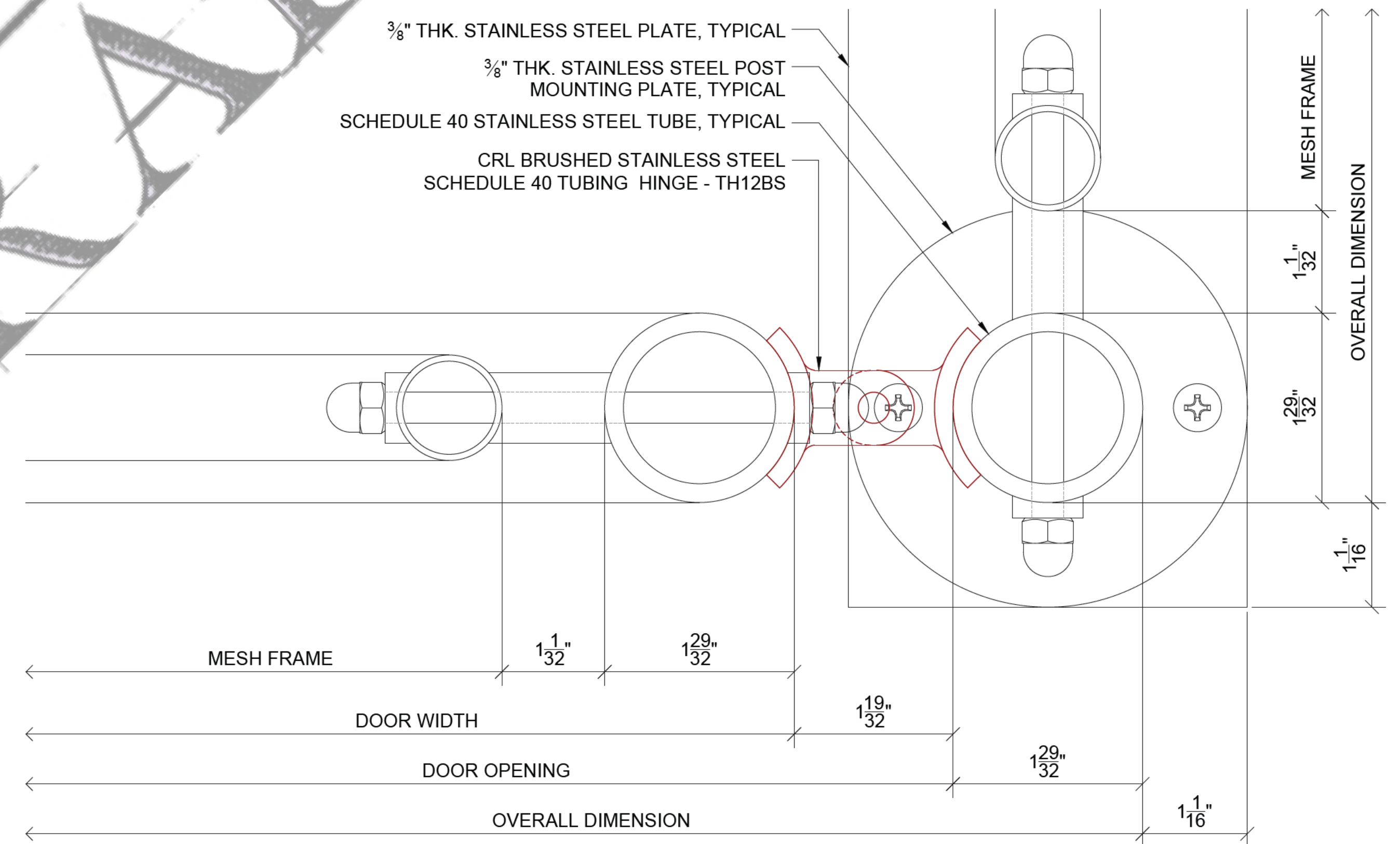
10



11



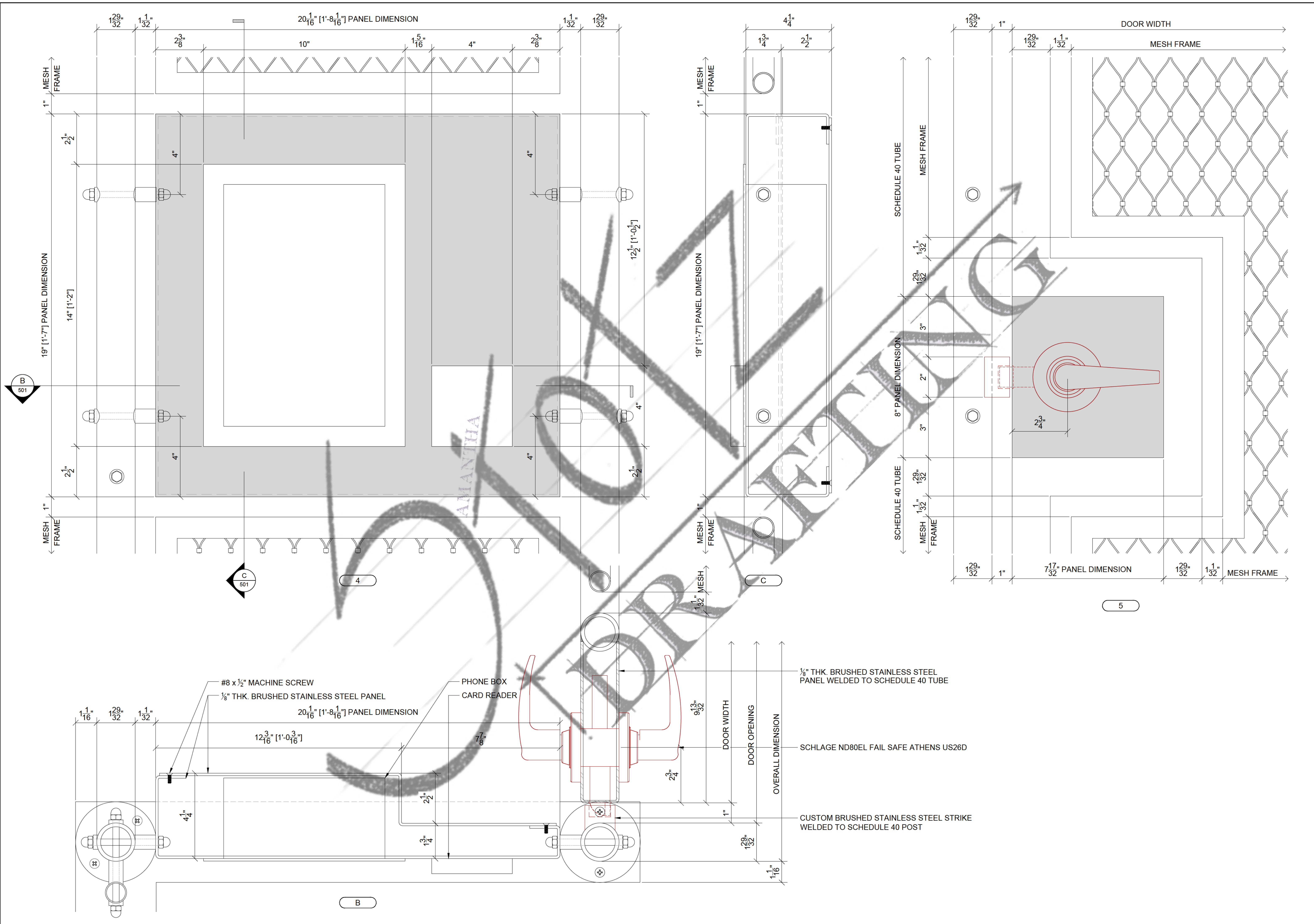
12



13

SAMPLE DRAWINGS

| | |
|----------|------------------|
| TITLE: | VERTICAL DETAILS |
| SCALE: | 1'-0" = 1'-0" |
| SHEET #: | 402 |



SAMPLE DRAWINGS

| | |
|----------|---------------|
| TITLE: | PANEL DETAILS |
| SCALE: | 6" = 1'-0" |
| SHEET #: | 501 |