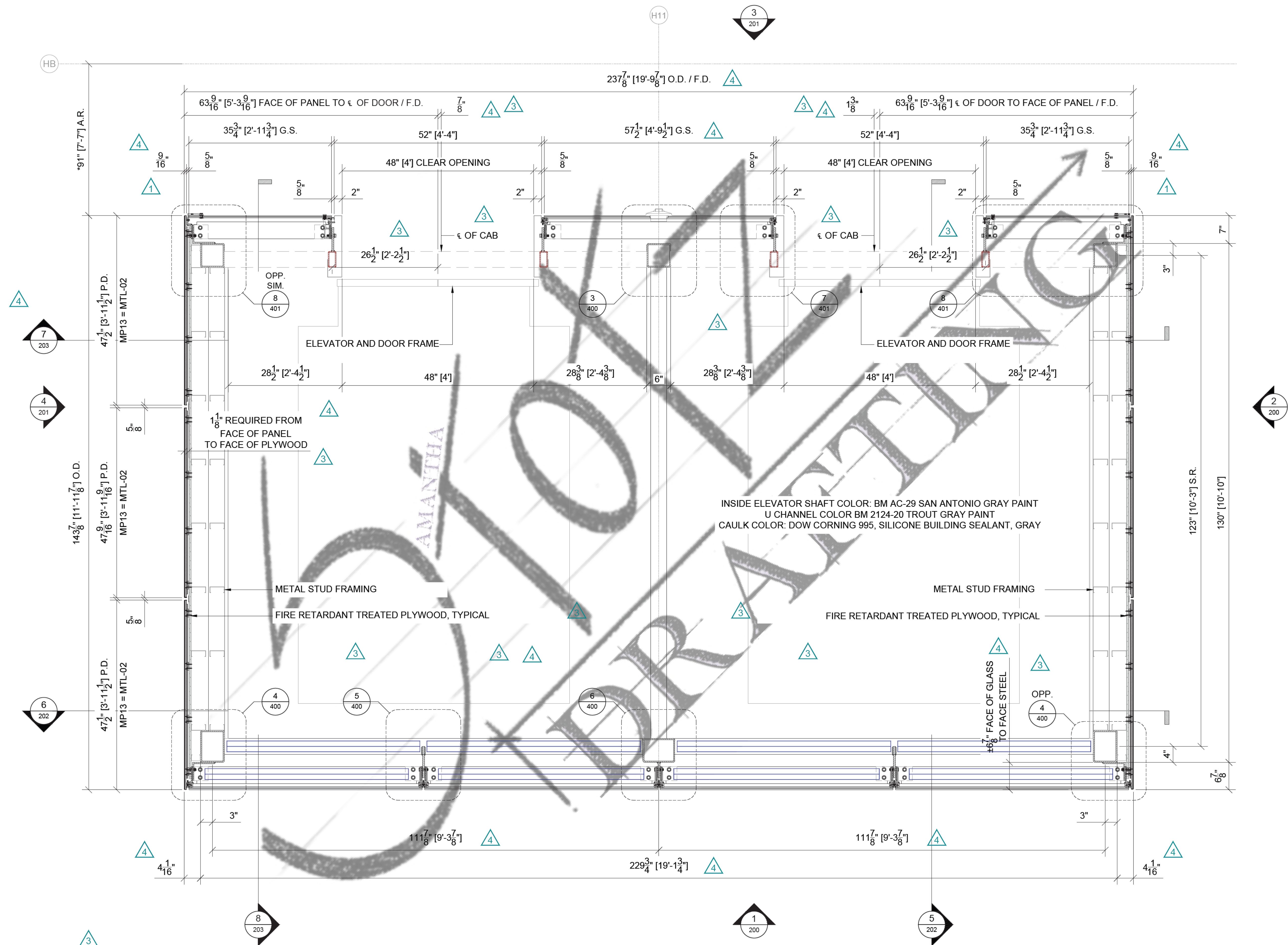


SAMPLE DRAWINGS



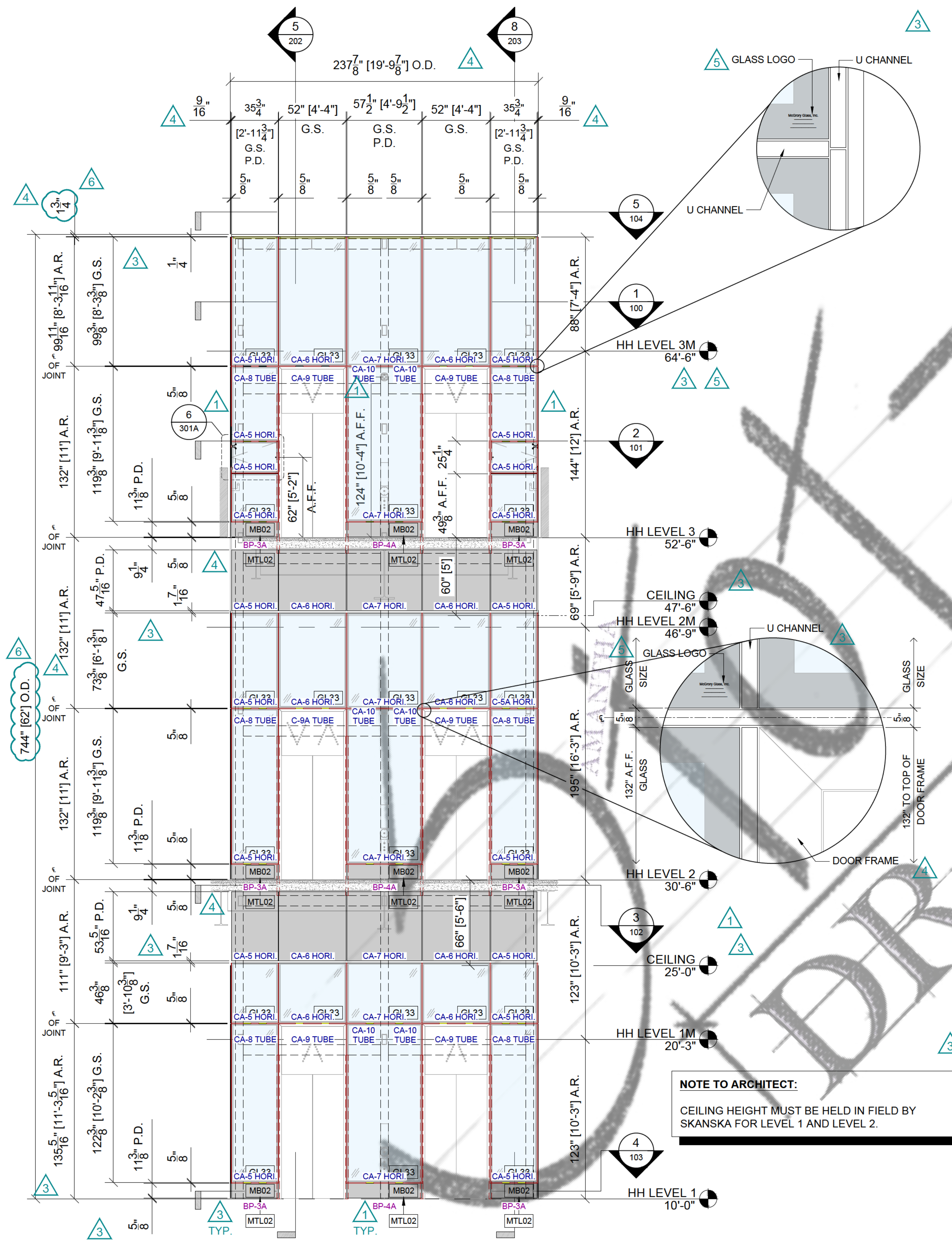
INSIDE ELEVATOR SHAFT COLOR: BM AC-29 SAN ANTONIO GRAY PAINT
 U CHANNEL COLOR BM 2124-20 TROUT GRAY PAINT
 CAULK COLOR: DOW CORNING 995, SILICONE BUILDING SEALANT, GRAY

HH-ELA01P & HH-ELA02P
 FLOOR PLAN AT ELEVATOR DOORS

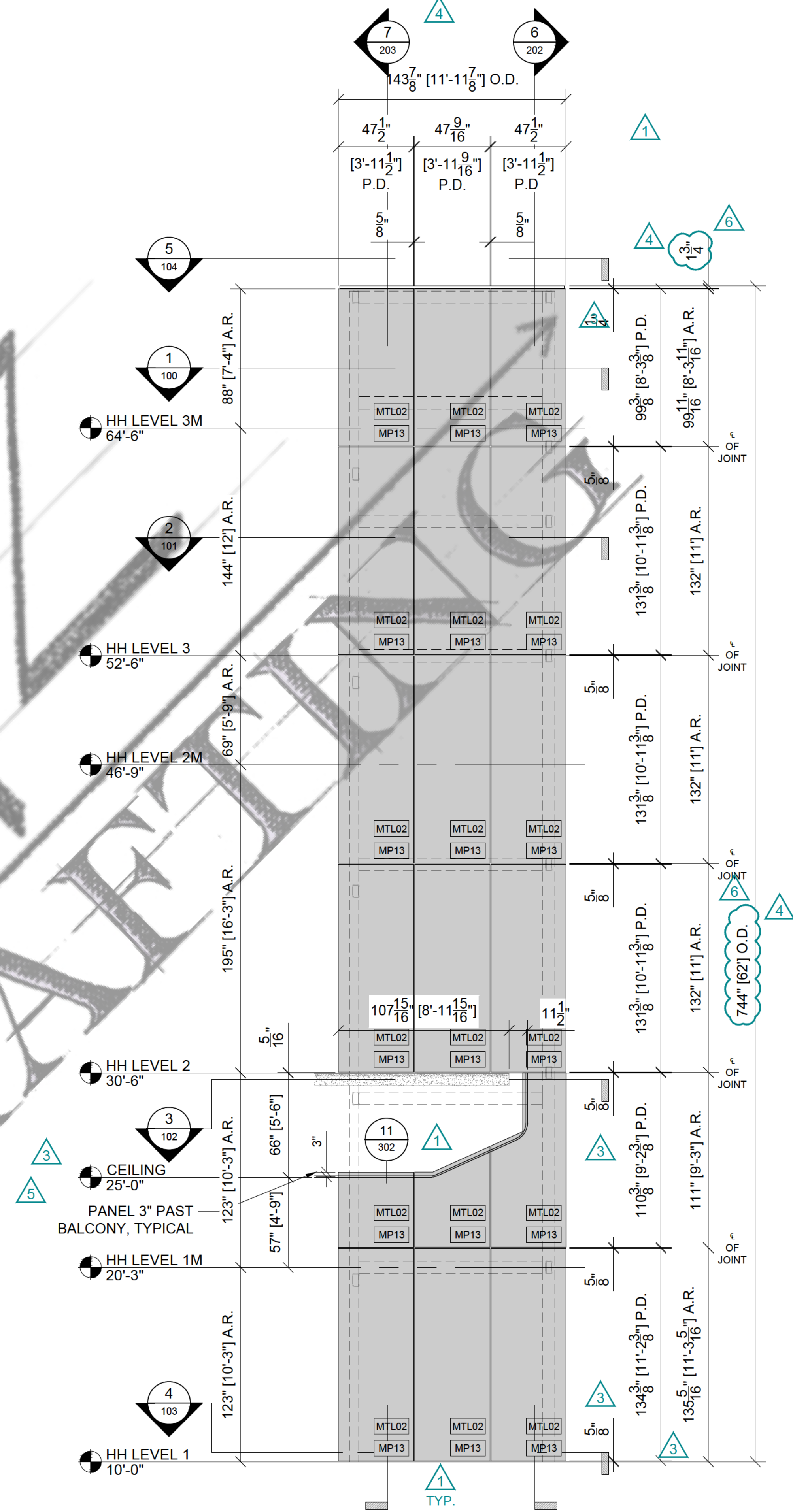
TITLE:
 HEAD HOUSE
 HH-ELA01P & HH-ELA02P
 PLAN VIEWS

SCALE: 1"=1'-0"

SHEET #: 101



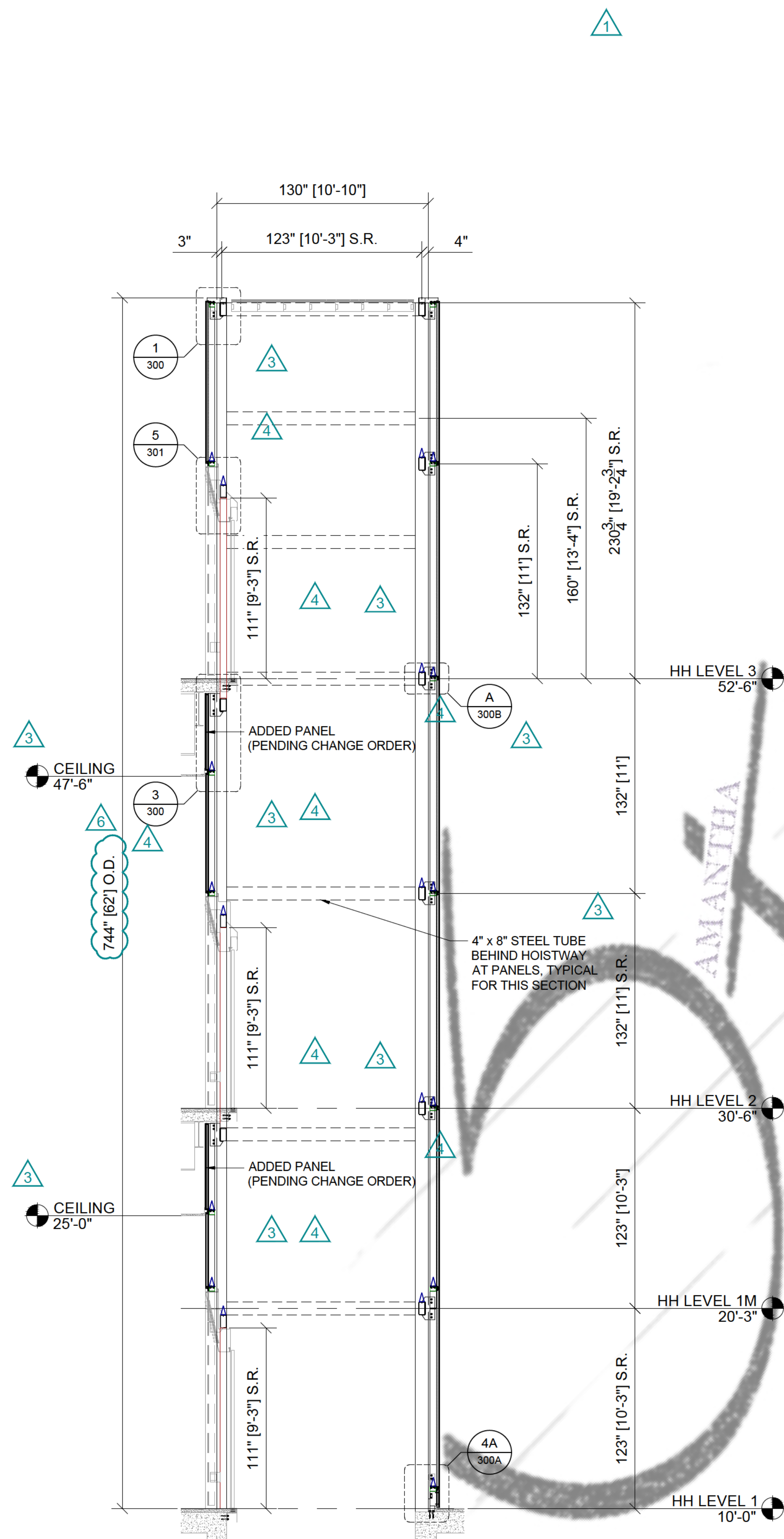
3 HH-ELA01P & HH-ELA02P NORTH



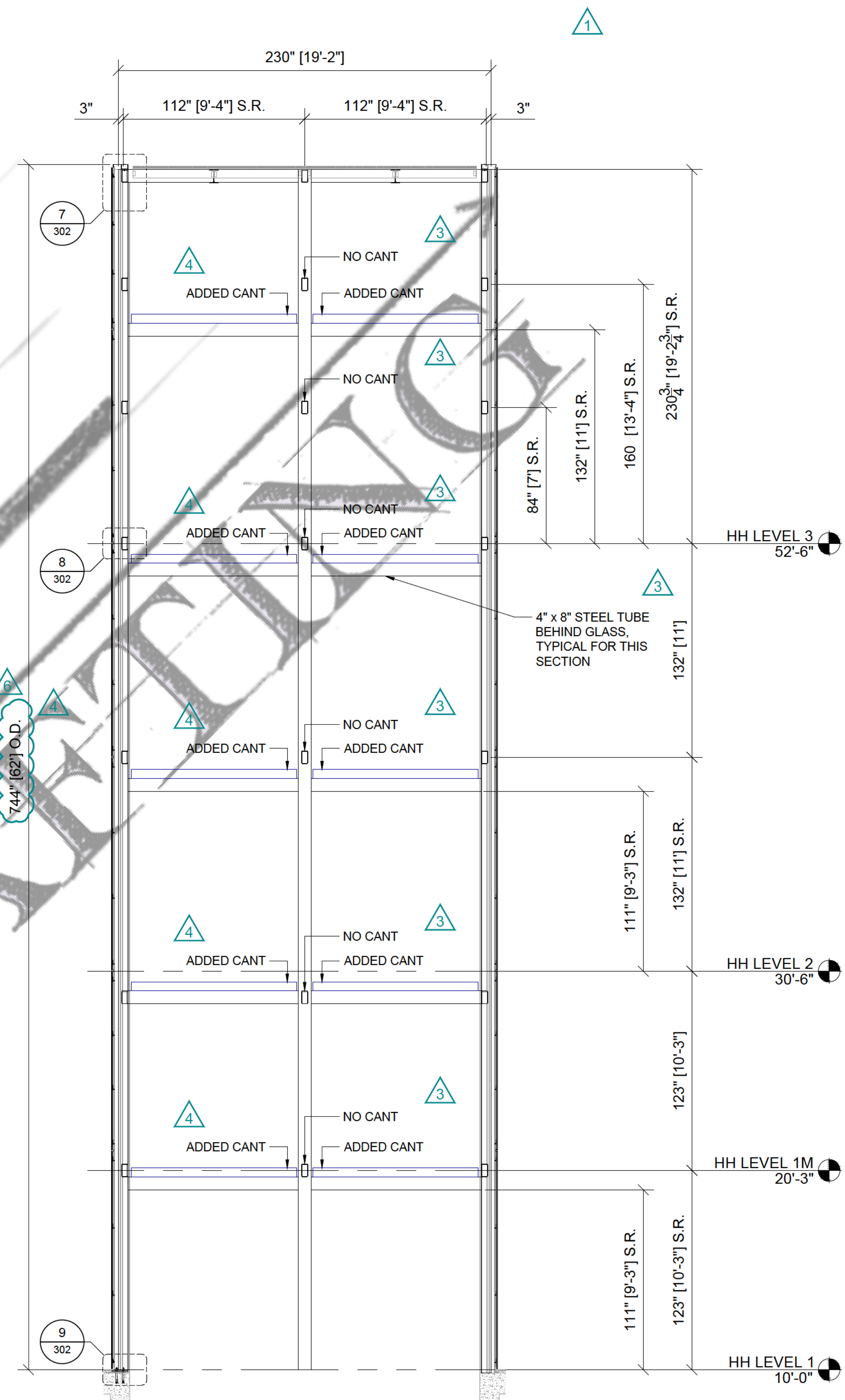
4 HH-ELA01P & HH-ELA02P WEST

SAMPLE DRAWINGS

TITLE:	HEAD HOUSE HH-ELA01P & HH-ELA02P ELEVATIONS
SCALE:	1/4"=1'-0"
SHEET #:	201



5 SECTION AT ELEVATOR DOORS



6 SECTION AT PANELS

SAMPLE DRAWINGS

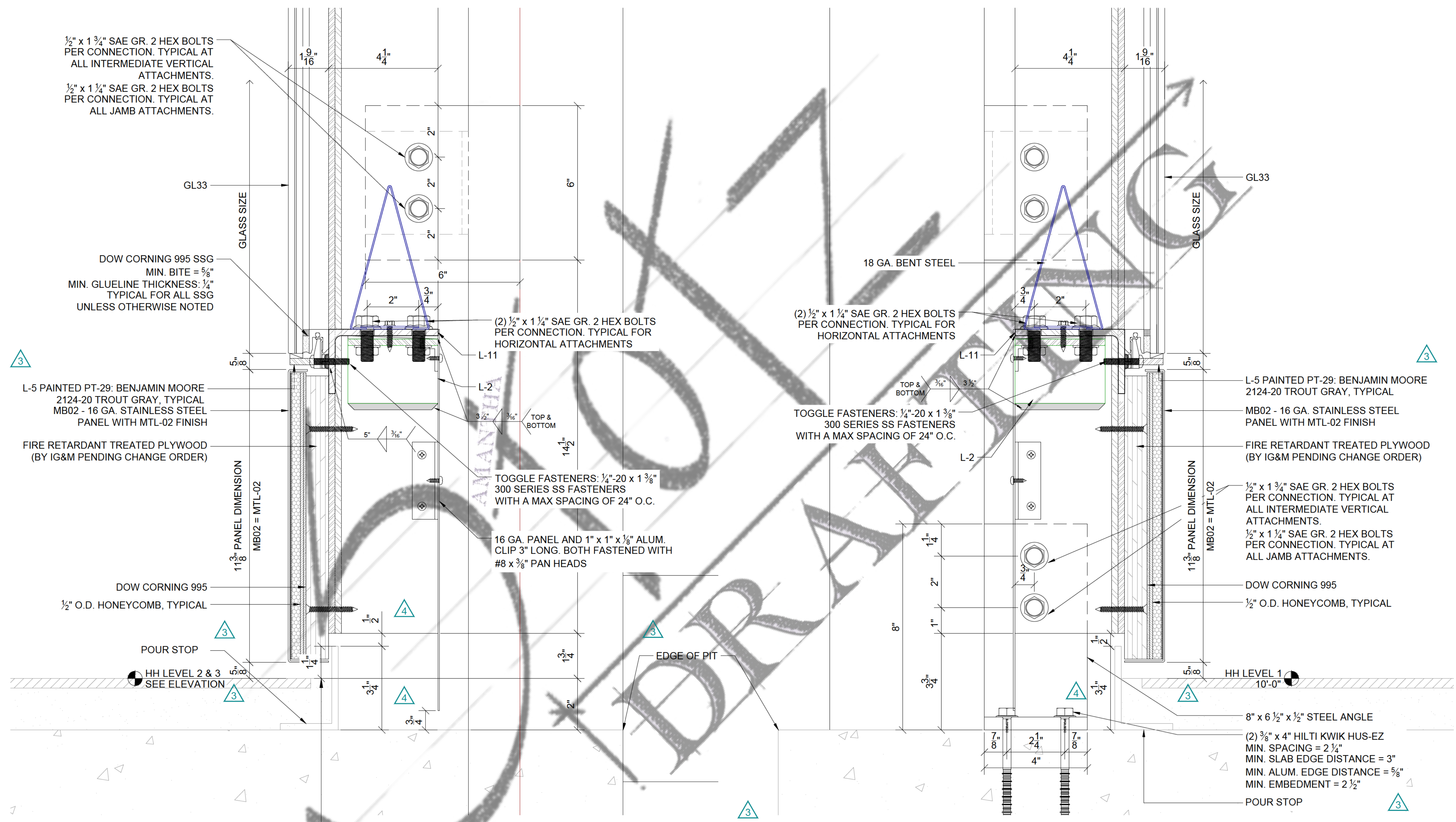
TITLE:
HEAD HOUSE
HH-ELA01P & HH-ELA02P
SECTIONS

SCALE: 1/4"=1'-0"

SHEET #: 202

INSIDE ELEVATOR SHAFT COLOR: BM AC-29 SAN ANTONIO GRAY PAINT
 U CHANNEL COLOR BM 2124-20 TROUT GRAY PAINT
 CAULK COLOR: DOW CORNING 995, SILICONE BUILDING SEALANT, GRAY

2



NOTE TO ARCHITECT:
 POUR STOP CANNOT EXTEND MORE THEN 1 1/4" PAST FINISH FLOOR TO MAINTAIN 1/2" REQUIRED SPACE. TYPICAL AT ALL SIMILAR CONNECTIONS.

HH LEVEL 2 & 3
 BASE DETAIL AT SIDELITE

HH LEVEL 1
 BASE DETAIL AT SIDELITE

SAMPLE DRAWINGS

TITLE:	HEAD HOUSE HH-ELA01P & HH-ELA02P DETAILS
SCALE:	6"=1'-0"
SHEET #:	300A

2

3

PRIMED WITH ZINC RICH PRIMER

PAINTED PT-28: BENJAMIN MOORE
AC29 SAN ANTONIO GRAY, TYPICAL

L-5 PAINTED
PT-29: BENJAMIN MOORE
2124-20 TROUT GRAY,
TYPICAL

12 ENLARGED ELEVATION AT GLASS JOINTS
SCALE: 3" = 1'-0"
ARCH REF: N/A

13 ENLARGED SECTION AT GLASS JOINTS
SCALE: 3" = 1'-0"
ARCH REF: N/A

GLASS LOGO

GLASS SETTING BLOCK - BLACK

TR-5: .060" ALUMINUM - PAINTED PT-29:
BENJAMIN MOORE 2124-20 TROUT GRAY

NOTE TO ARCHITECT:

GLASS LOGO LOCATION TO BE LOCATED AT THE
BOTTOM RIGHT CORNER OF THE GLASS. TYPICAL FOR
ALL PIECES OF GLASS AS SHOWN FOR REFERENCE.

13
303

14 SECTION AT SETTING CHAIR
SCALE: 3" = 1'-0"
ARCH REF: N/A

15 SECTION AT GAP TRIM
SCALE: 3" = 1'-0"
ARCH REF: N/A

KEY

	FASTENERS
	1/2" THICK STEEL PLATE
	1/4" THICK STEEL FACE PLATE
	1/4" THICK STEEL SETTING CHAIR
	TRIM
	GLASS

3

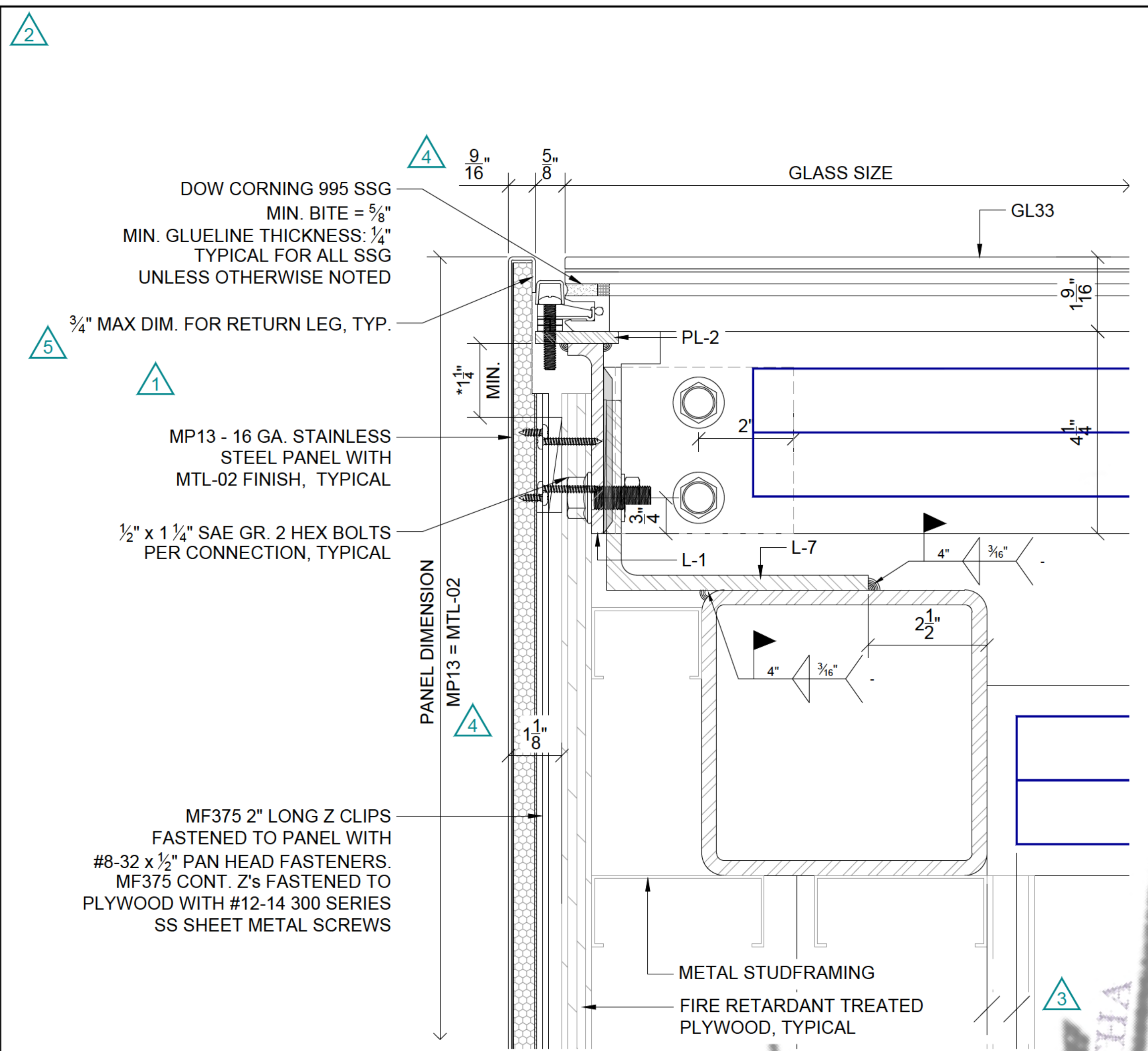
INSIDE ELEVATOR SHAFT COLOR: BM AC-29 SAN ANTONIO GRAY PAINT
U CHANNEL COLOR BM 2124-20 TROUT GRAY PAINT
CAULK COLOR: DOW CORNING 995, SILICONE BUILDING SEALANT, GRAY

SAMPLE DRAWINGS

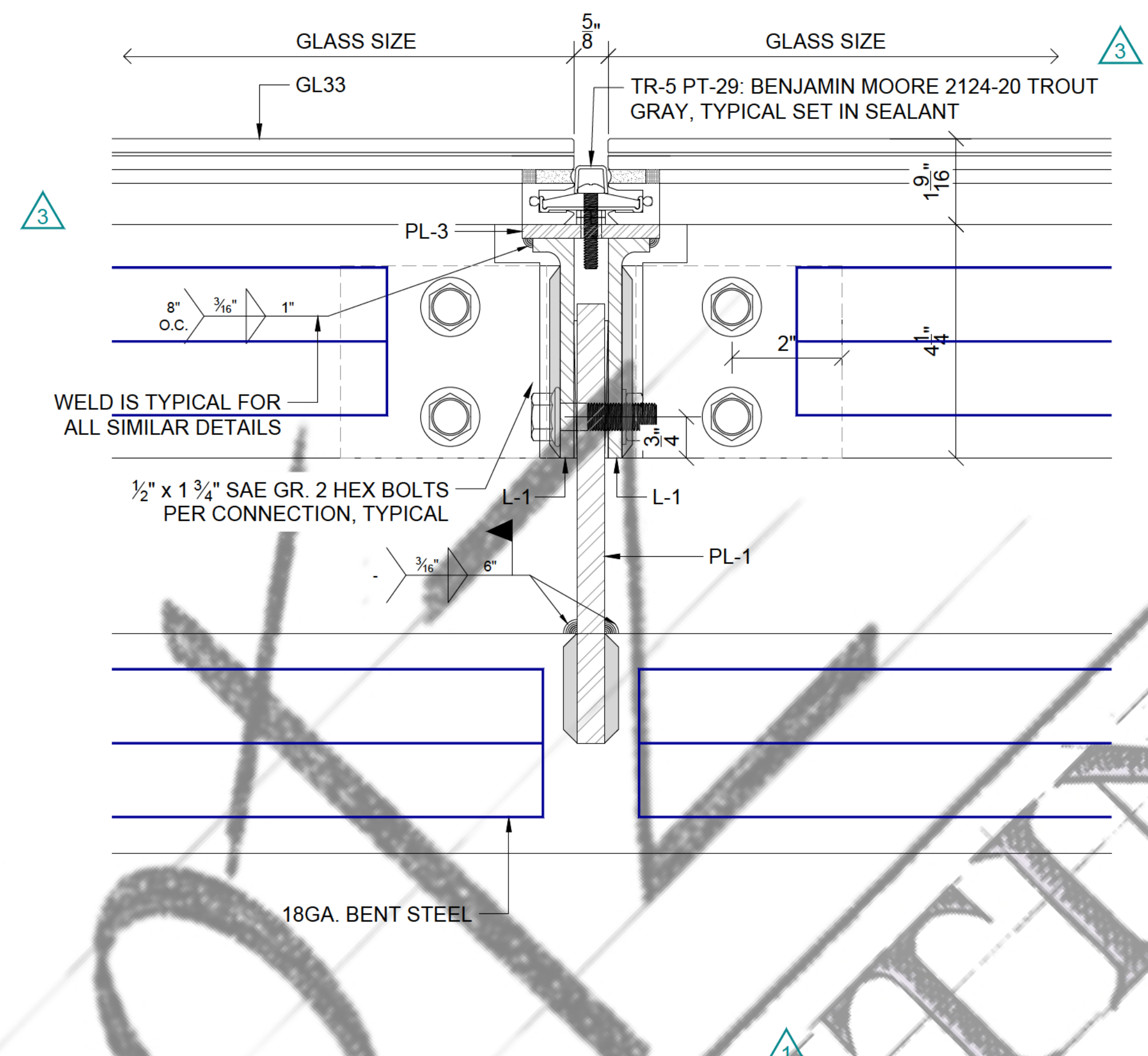
TITLE:
HEAD HOUSE
HH-ELA01P & HH-ELA02P
DETAILS

SCALE: 3"=1'-0"

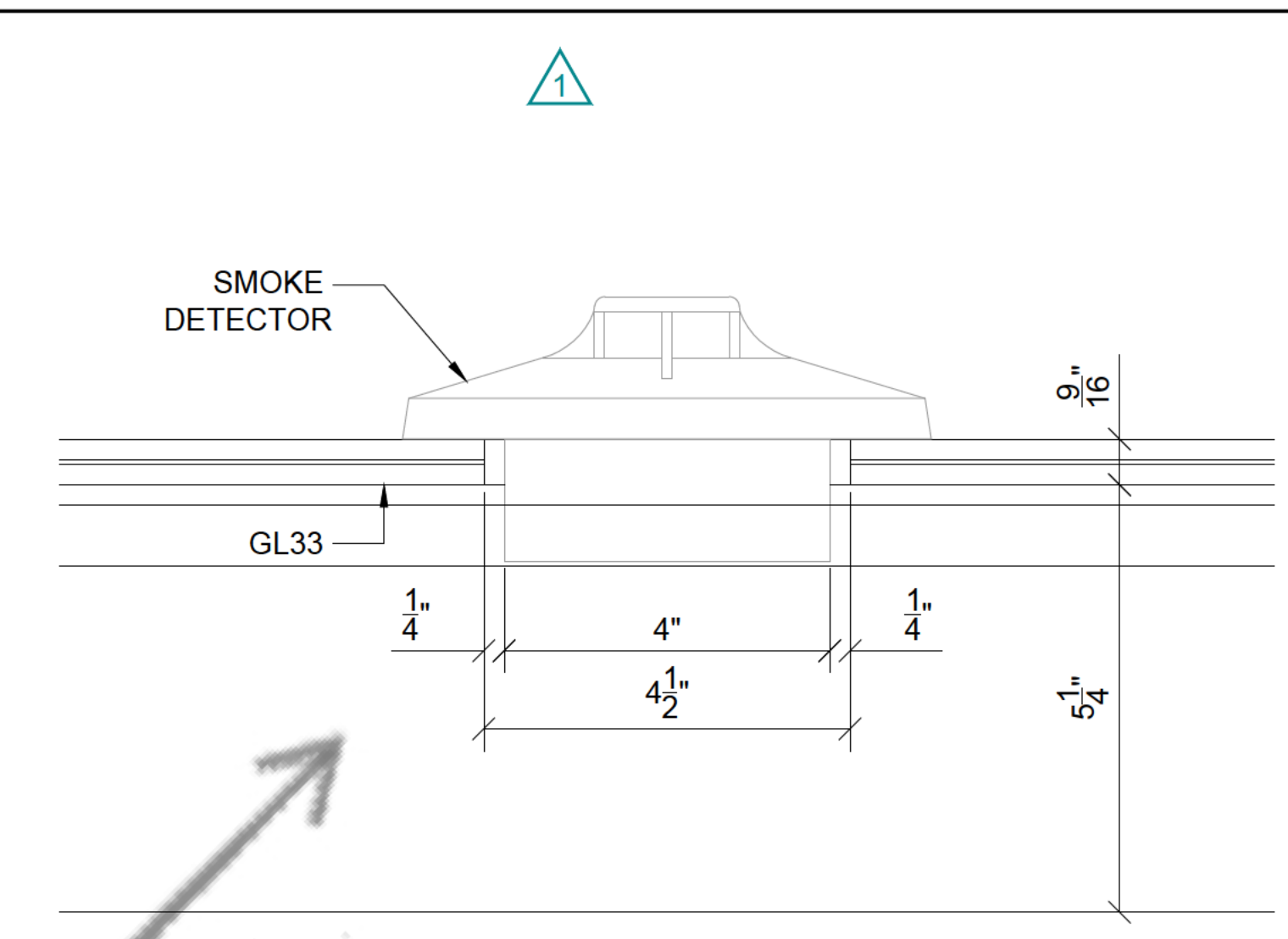
SHEET #: 303



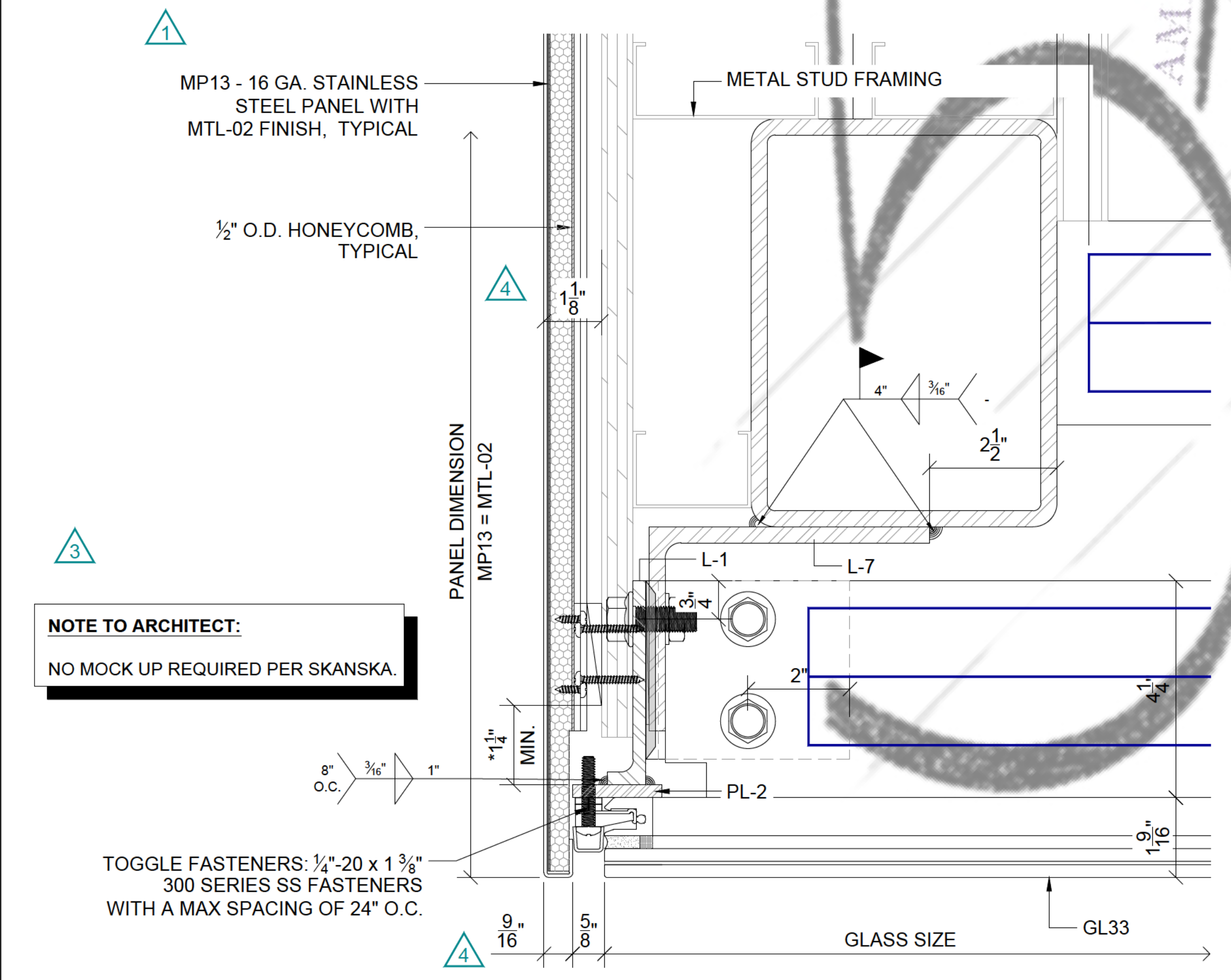
1 CORNER GLASS & PANEL DETAIL



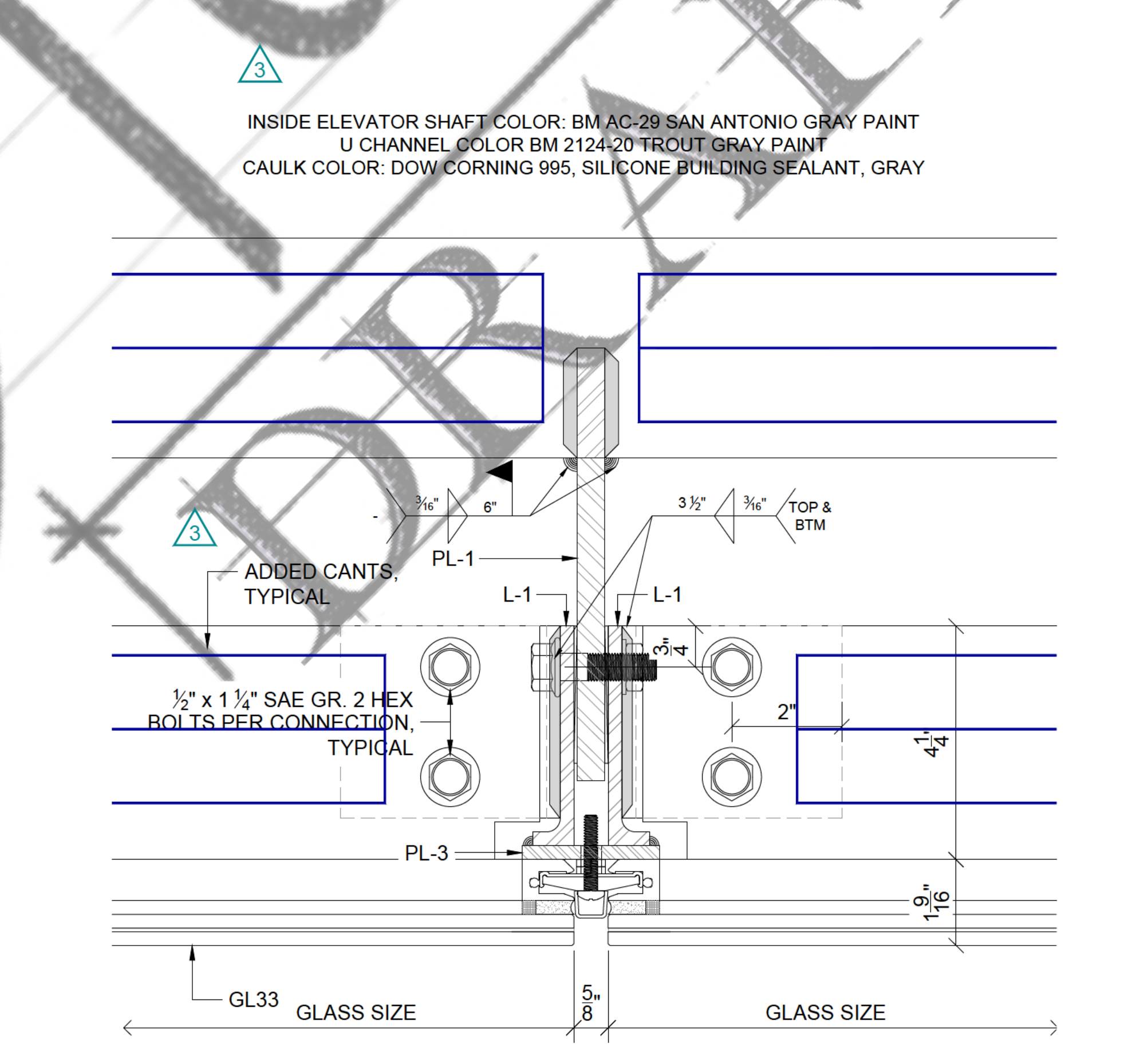
2 VERTICAL JOINT DETAIL



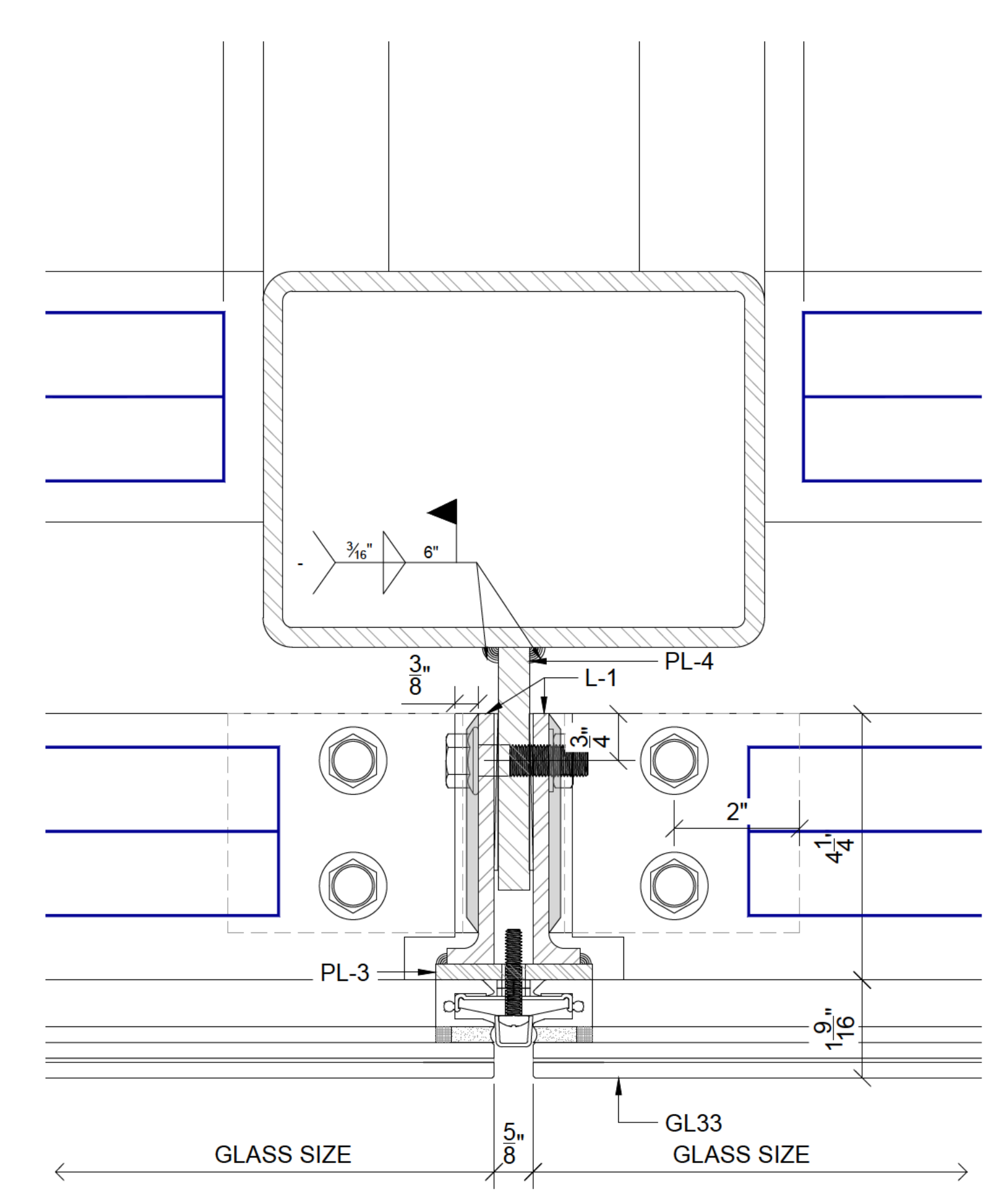
3 SMOKE DETECTOR DETAIL



4 CORNER GLASS & PANEL DETAIL



5 VERTICAL JOINT DETAIL



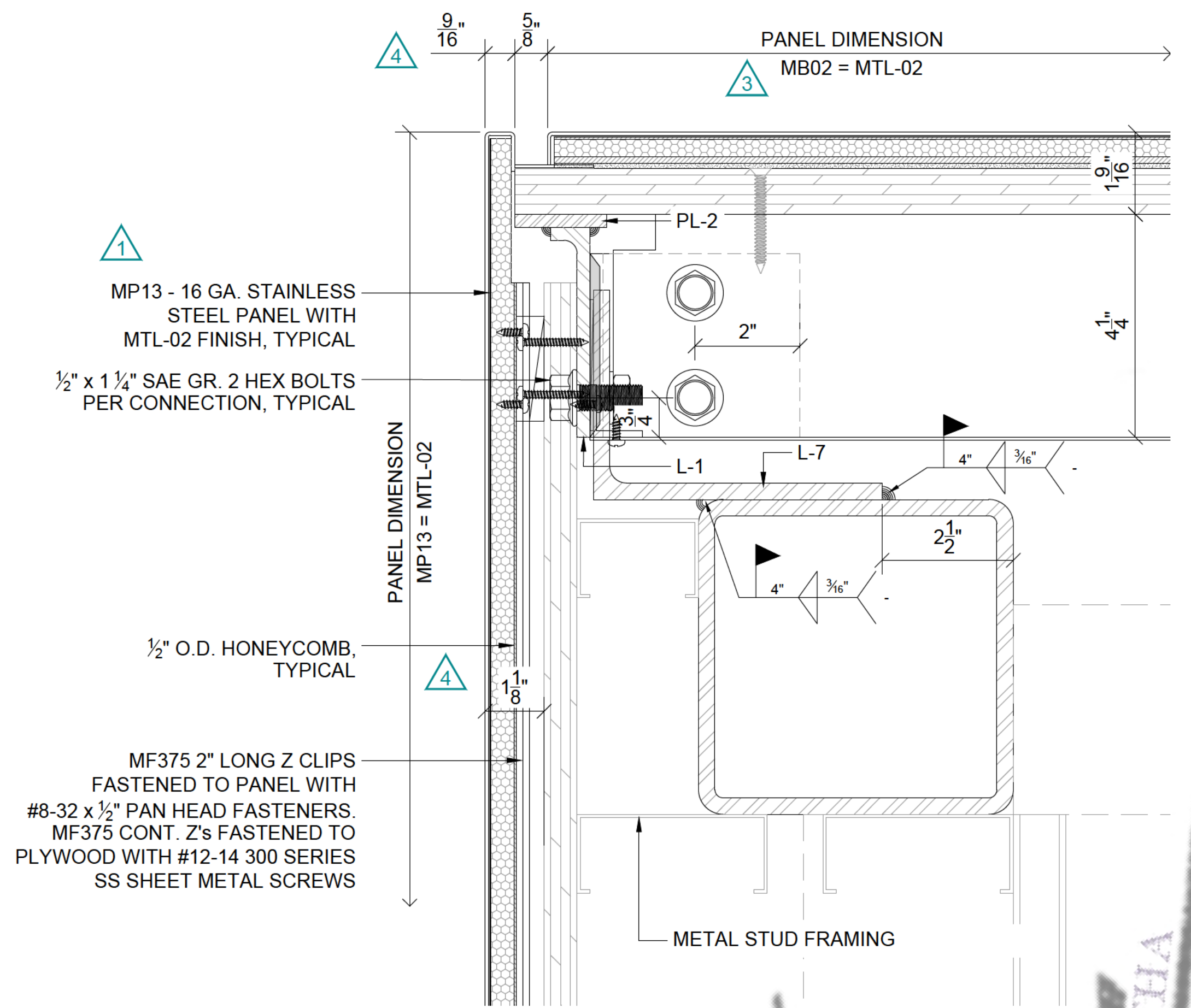
6 GLASS DETAIL AT STEEL

NOTE TO ARCHITECT:
NO MOCK UP REQUIRED PER SKANSKA.

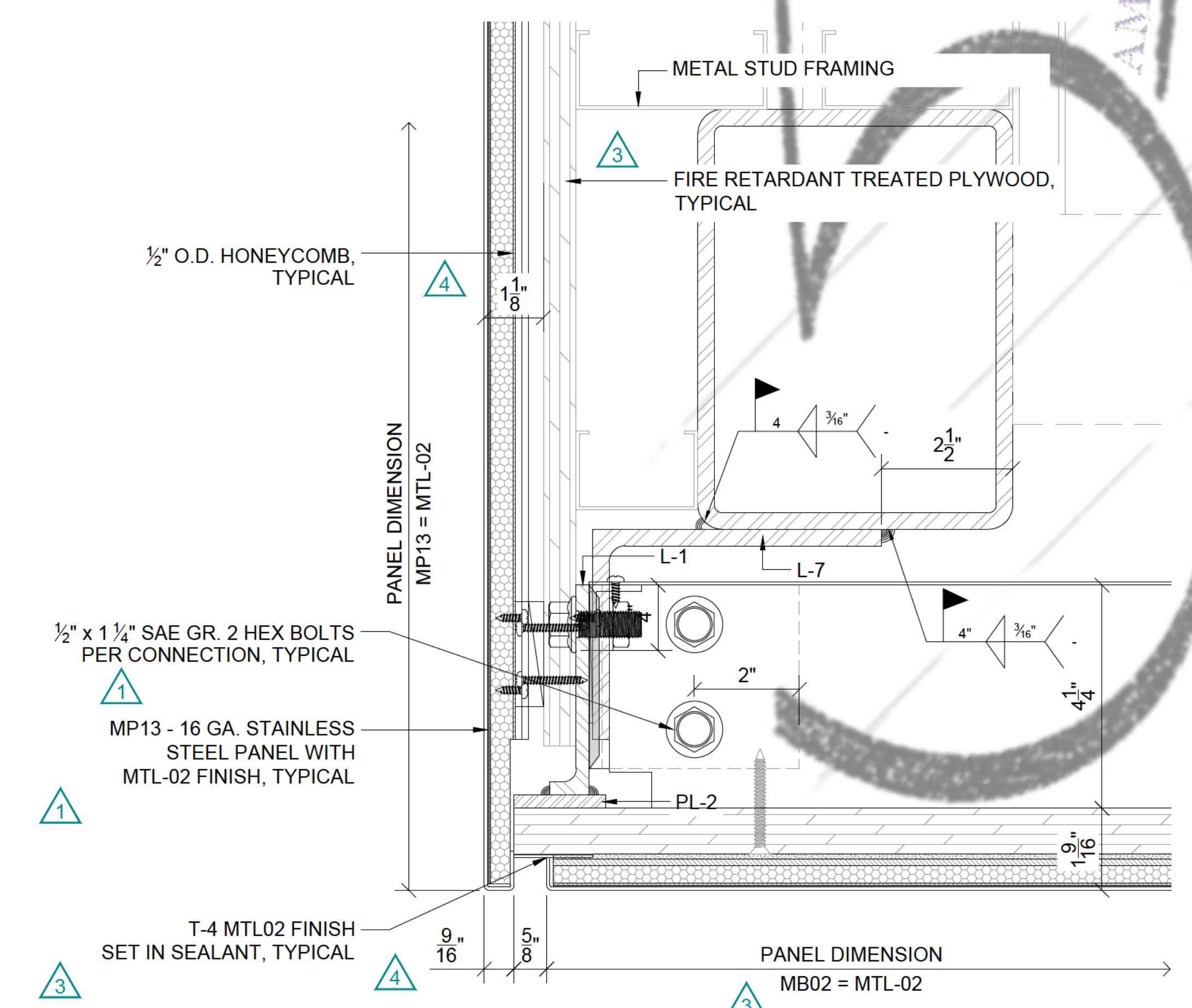
INSIDE ELEVATOR SHAFT COLOR: BM AC-29 SAN ANTONIO GRAY PAINT
U CHANNEL COLOR BM 2124-20 TROUT GRAY PAINT
CAULK COLOR: DOW CORNING 995, SILICONE BUILDING SEALANT, GRAY

TITLE:	HEAD HOUSE HH-ELA01P & HH-ELA02P DETAILS
SCALE:	6"=1'-0"
SHEET #:	400

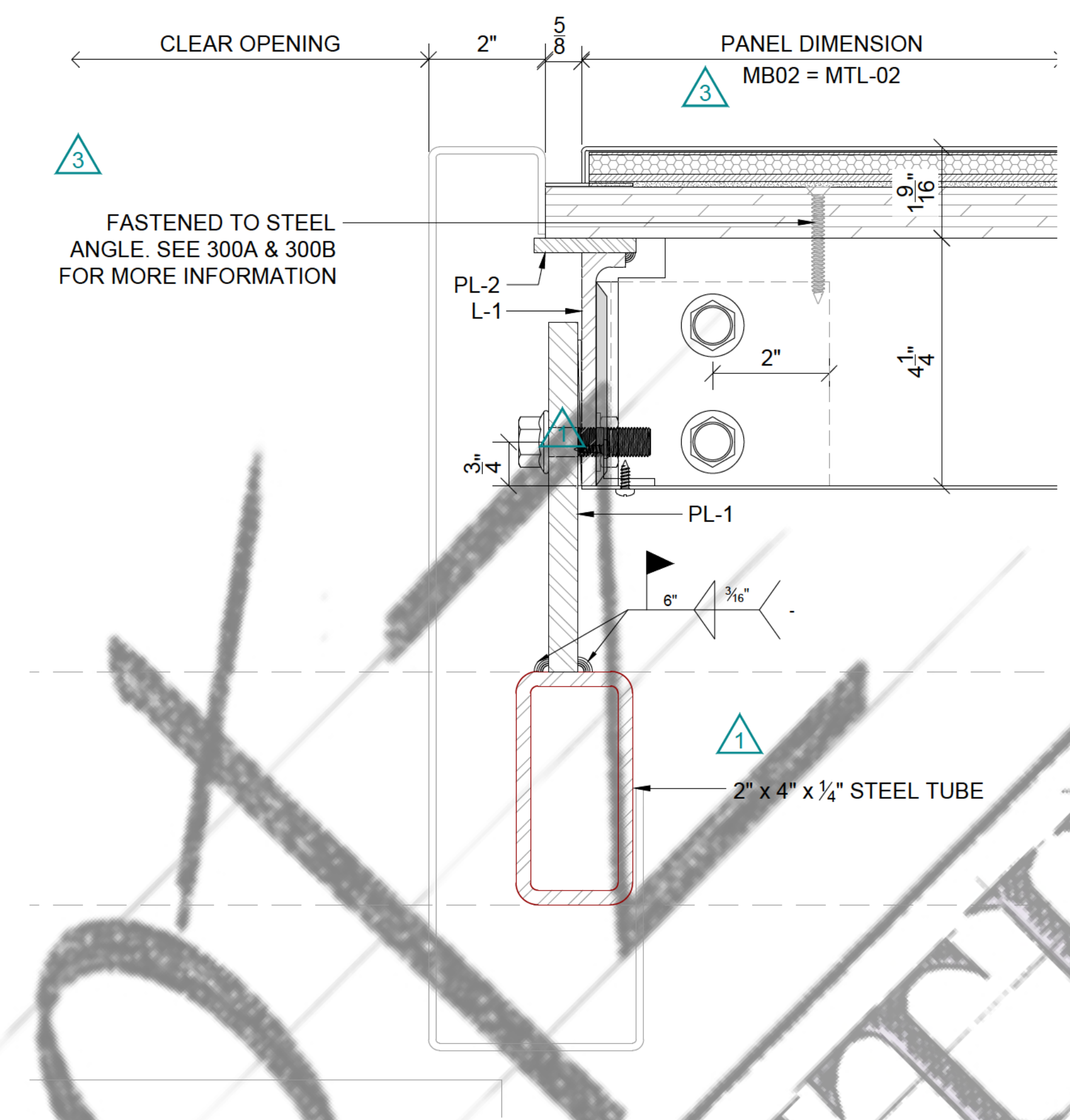
SAMPLE DRAWINGS



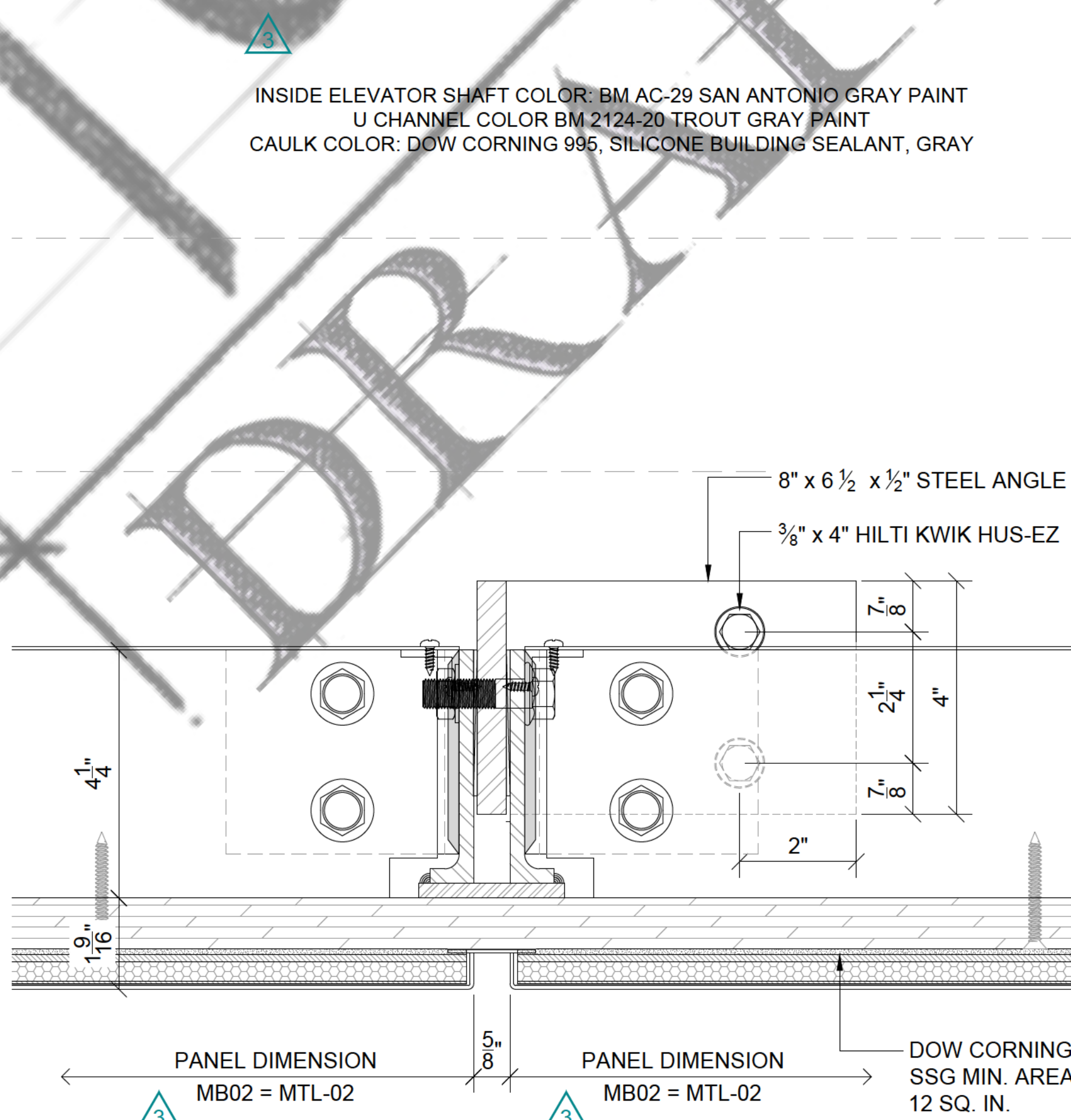
9 CORNER PANEL DETAIL
SCALE: 6" = 1'-0"
ARCH REF: N/A



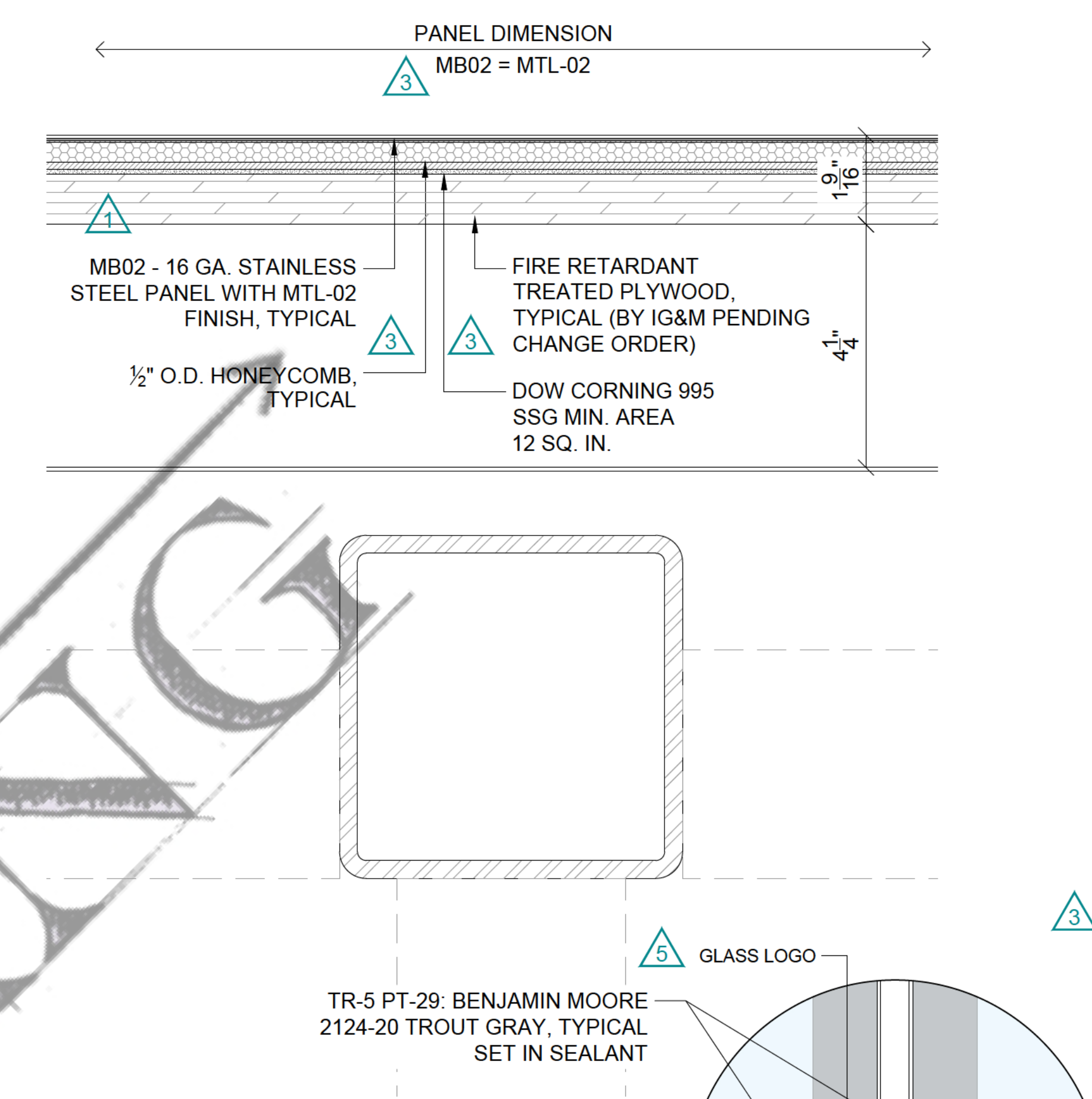
12 CORNER PANEL DETAIL
SCALE: 6" = 1'-0"
ARCH REF: N/A



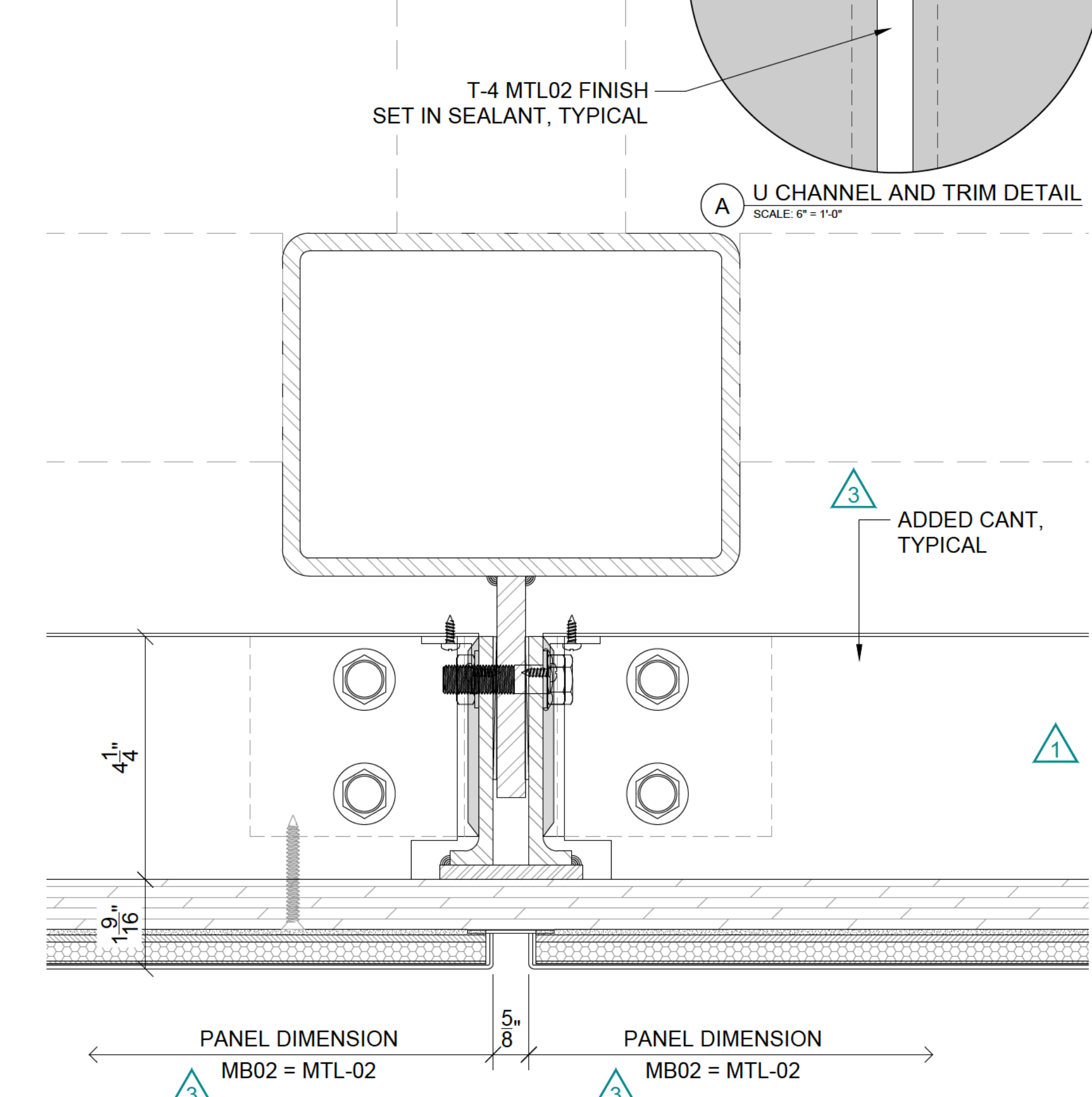
10 DOOR JAMB DETAIL
SCALE: 6" = 1'-0"
ARCH REF: N/A



13 BASE VERTICAL JOINT DETAIL
SCALE: 6" = 1'-0"
ARCH REF: N/A



11 PANEL DETAIL AT STEEL
SCALE: 6" = 1'-0"
ARCH REF: N/A



14 PANEL DETAIL AT STEEL
SCALE: 6" = 1'-0"
ARCH REF: N/A

SAMPLE DRAWINGS