

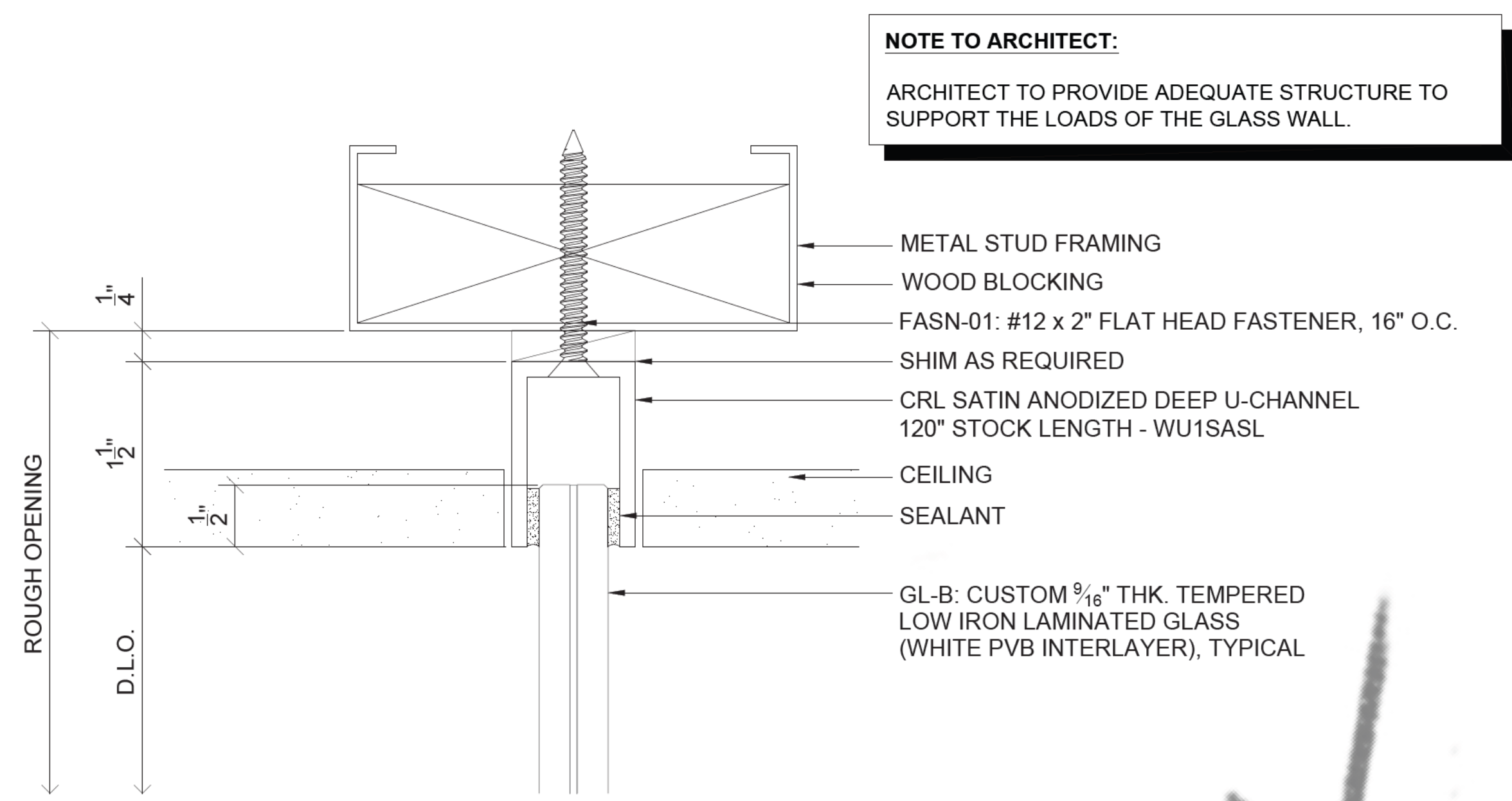
SAMPLE DRAWINGS

TITLE:
ELEVATIONS & SECTIONS

SCALE: 1" = 1'-0"

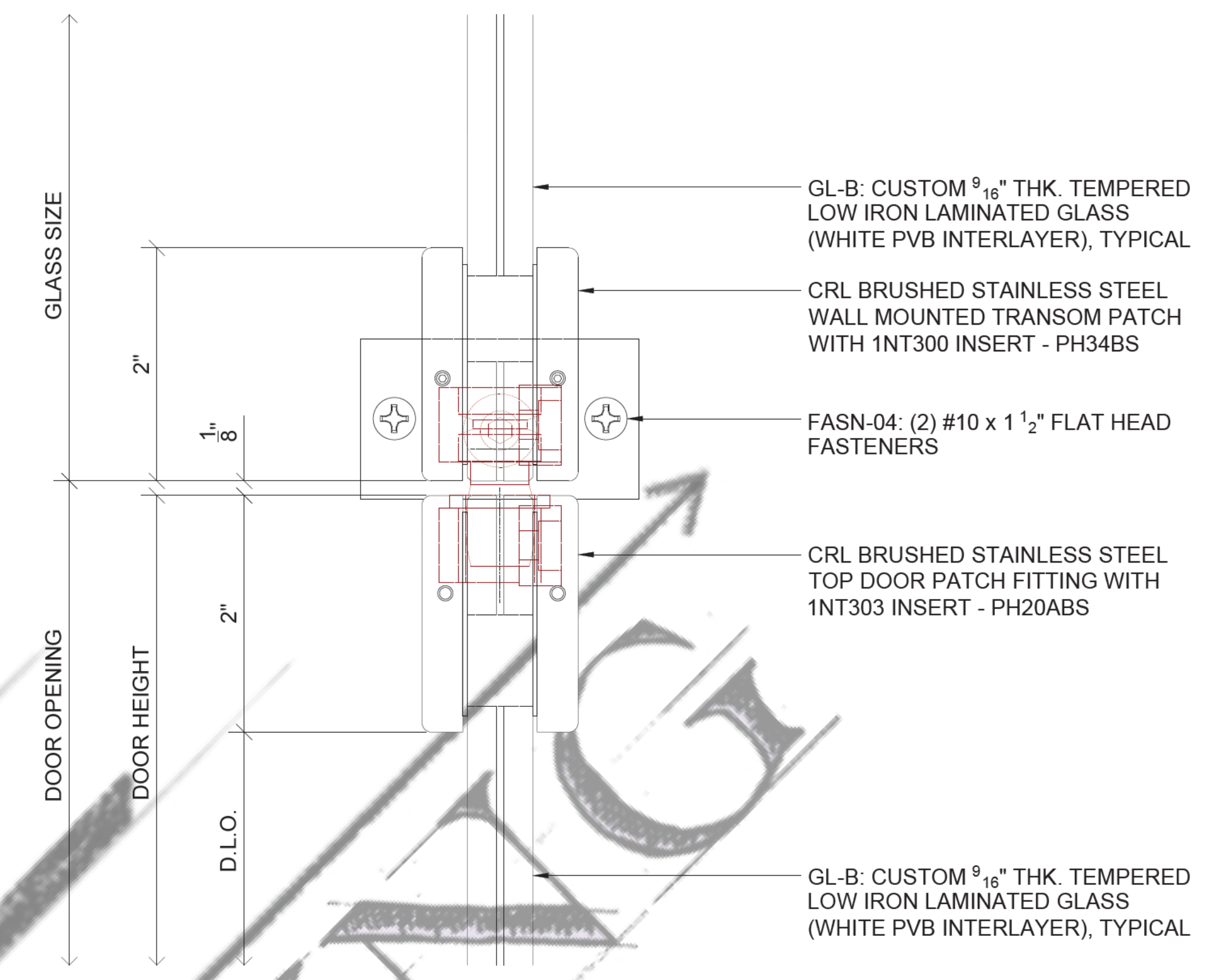
SHEET #: 200

1
ARCH REF: N/A

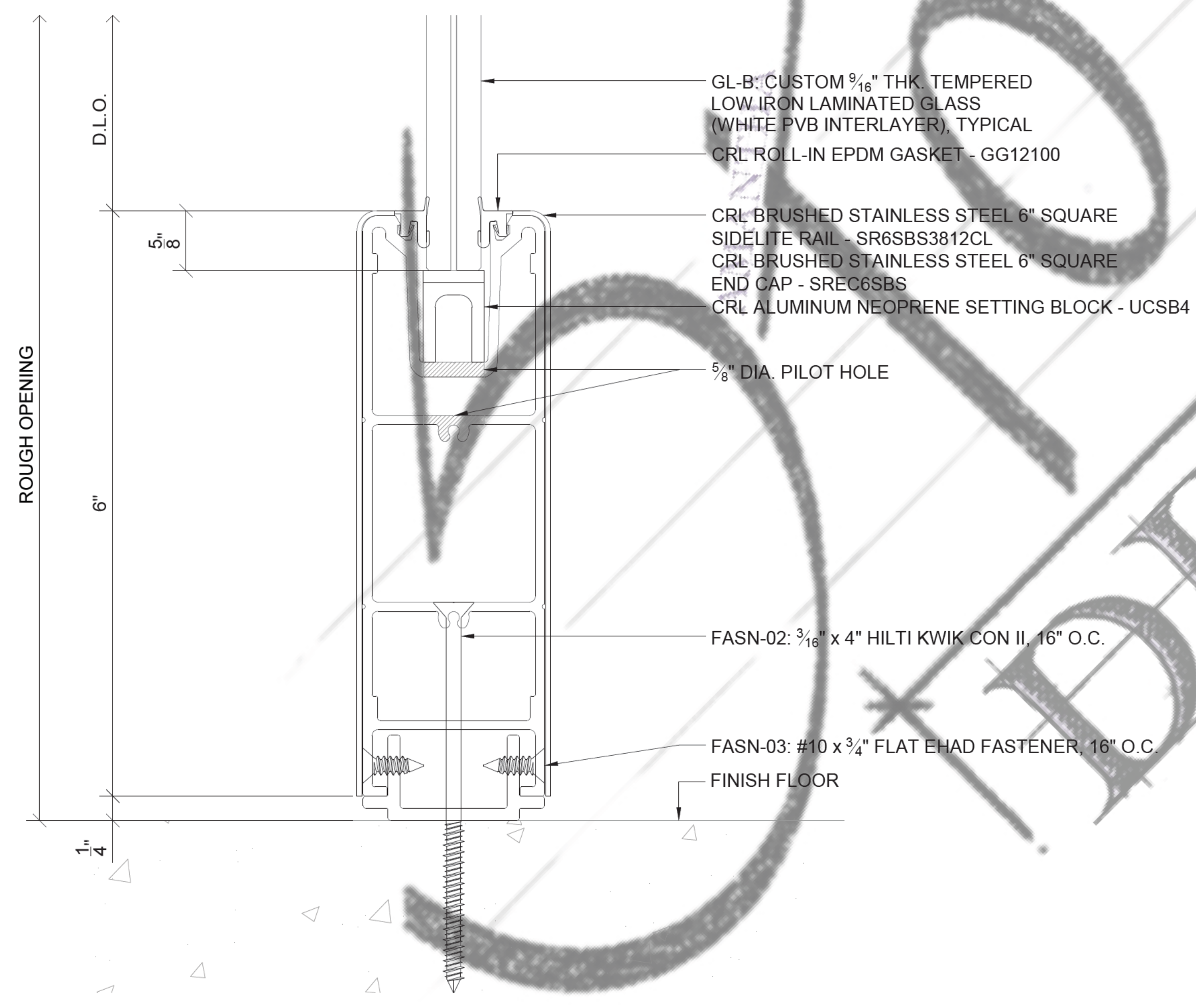


NOTE TO ARCHITECT:
ARCHITECT TO PROVIDE ADEQUATE STRUCTURE TO SUPPORT THE LOADS OF THE GLASS WALL.

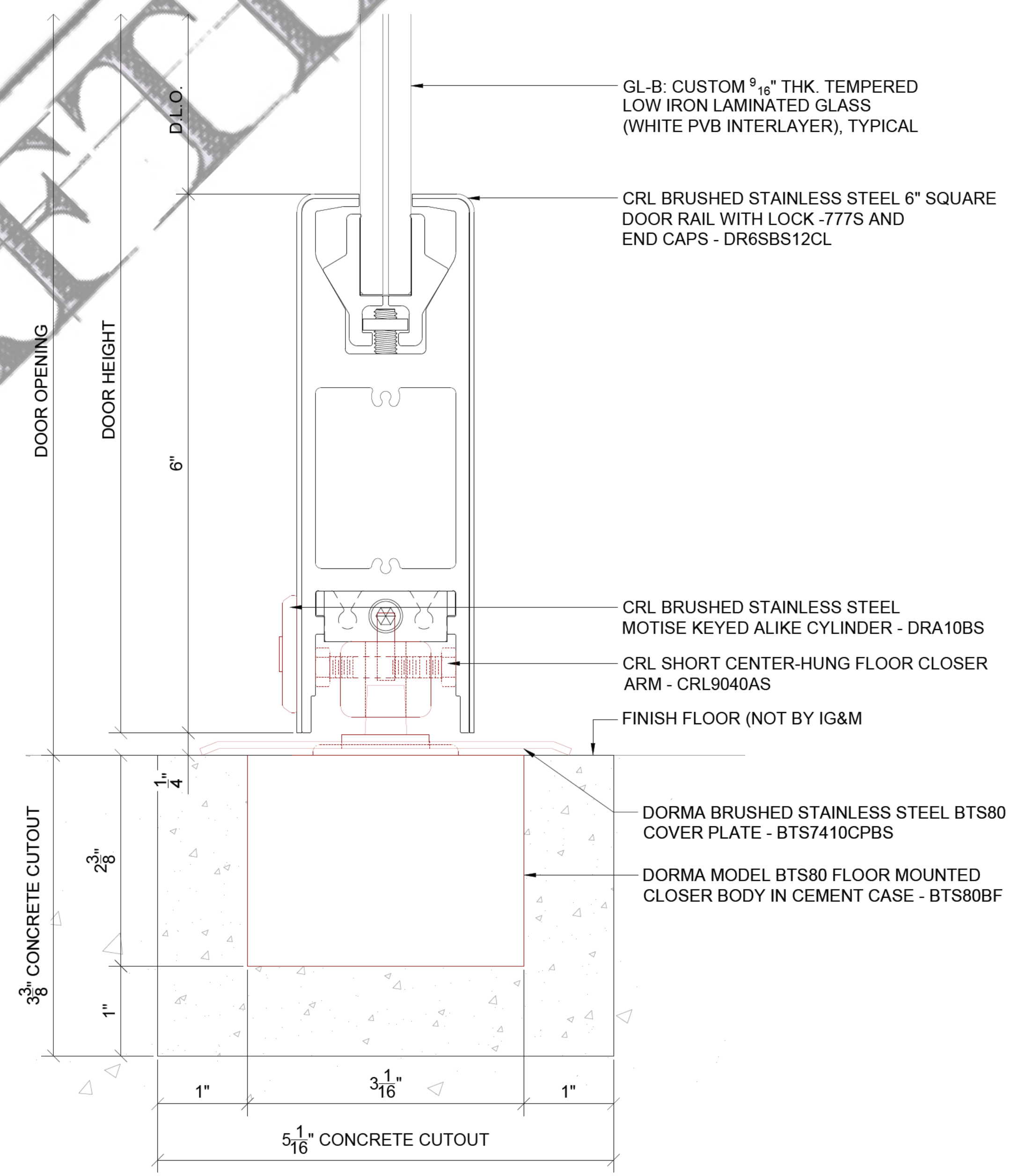
3
ARCH REF: N/A



2
ARCH REF: N/A

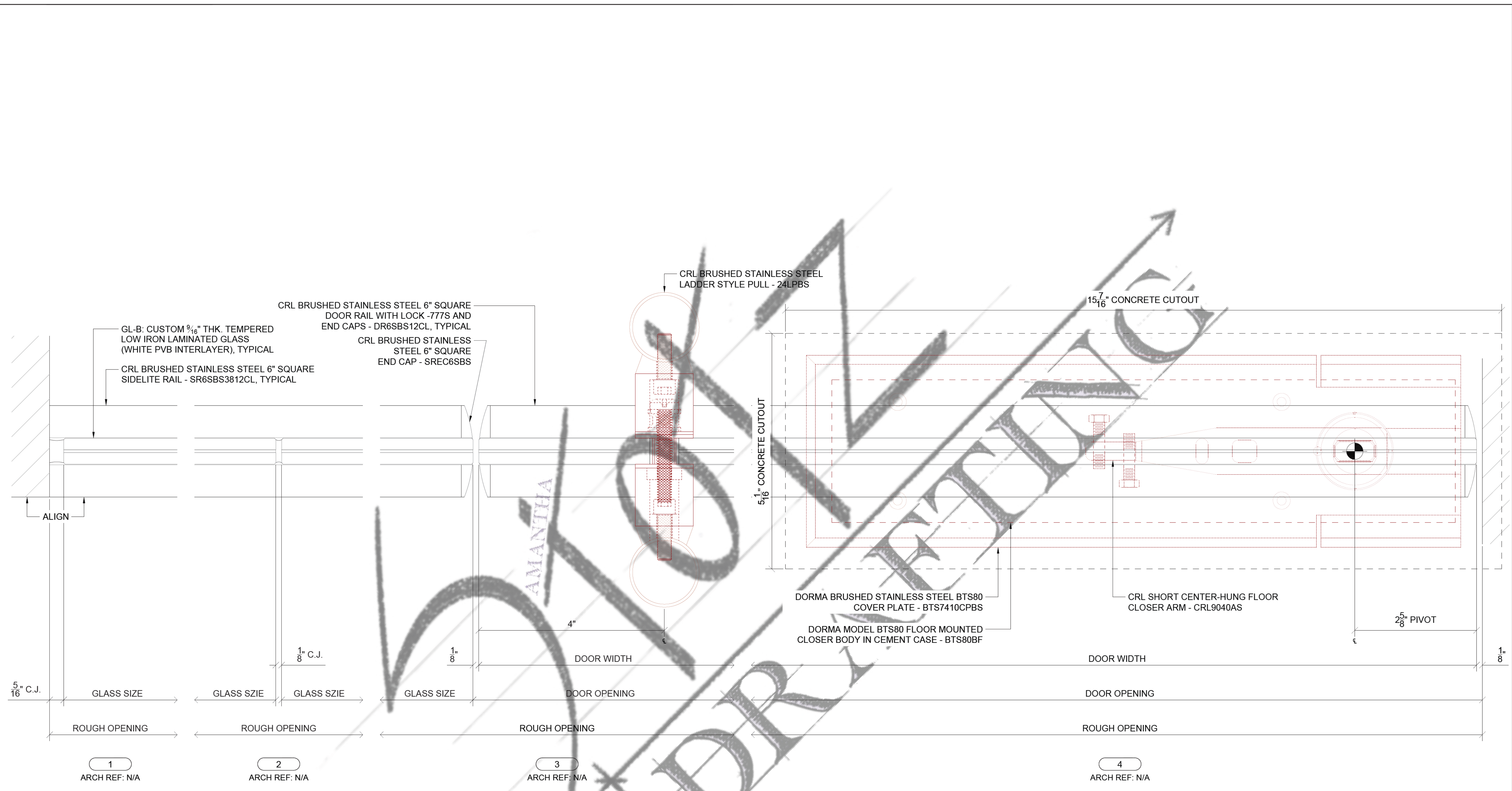


4
ARCH REF: N/A



SAMPLE DRAWINGS

TITLE:	HORIZONTAL DETAILS
SCALE:	1'-0" = 1'-0"
SHEET #:	300



SAMPLE DRAWINGS

TITLE:	VERTICAL DETAILS
SCALE:	1'-0" = 1'-0"
SHEET #:	400

