

3

3
200

5 164³/₈" [13'-8³/₈"] O.D.

5 138³/₈" [11'-6³/₈"]

46¹/₁₆" [3'-10¹/₁₆"]

46¹/₄" [3'-10¹/₄"]

46¹/₁₆" [3'-10¹/₁₆"]

13" [1'-1"]

13" [1'-1"]

1/16" END CAP

2
200

114¹/₁₆" [9'-6¹/₁₆"] O.D.

107¹/₂" [8'-11¹/₂"]

37" [3'-1"]

12" [1'-0"]

37" [3'-1"]

1 1/2"

1 1/2"

34" [2'-10"]

34" [2'-10"]

1 1/2"

1 1/2"

34" [2'-10"]

34" [2'-10"]

1 1/2"

1 1/2"

34" [2'-10"]

34" [2'-10"]

1 1/2"

1 1/2"

34" [2'-10"]

34" [2'-10"]

1 1/2"

1 1/2"

34" [2'-10"]

34" [2'-10"]

1 1/2"

1 1/2"

34" [2'-10"]

34" [2'-10"]

1 1/2"

1 1/2"

34" [2'-10"]

34" [2'-10"]

1 1/2"

1 1/2"

34" [2'-10"]

34" [2'-10"]

1 1/2"

1 1/2"

34" [2'-10"]

34" [2'-10"]

1 1/2"

1 1/2"

34" [2'-10"]

34" [2'-10"]

1 1/2"

1 1/2"

34" [2'-10"]

34" [2'-10"]

1 1/2"

1 1/2"

34" [2'-10"]

34" [2'-10"]

1 1/2"

1 1/2"

34" [2'-10"]

34" [2'-10"]

1 1/2"

1 1/2"

34" [2'-10"]

34" [2'-10"]

1 1/2"

1 1/2"

34" [2'-10"]

34" [2'-10"]

1 1/2"

1 1/2"

34" [2'-10"]

34" [2'-10"]

1 1/2"

1 1/2"

34" [2'-10"]

34" [2'-10"]

1 1/2"

1 1/2"

34" [2'-10"]

34" [2'-10"]

1 1/2"

1 1/2"

34" [2'-10"]

34" [2'-10"]

1 1/2"

1 1/2"

34" [2'-10"]

34" [2'-10"]

1 1/2"

1 1/2"

FINISH FLOOR
0'-0"

3"

148⁵/₈" [12'-4⁵/₈"]

154⁵/₈" [12'-10⁵/₈"] FIELD VERIFIED

1 FIDS STRUCTURE ELEVATION

1A
200A

5 164³/₈" [13'-8³/₈"] O.D.

5 138³/₈" [11'-6³/₈"]

46¹/₁₆" [3'-10¹/₁₆"]

46¹/₄" [3'-10¹/₄"]

46¹/₁₆" [3'-10¹/₁₆"]

13" [1'-1"]

13" [1'-1"]

16" O.D.

3 1/4"

1 1/2"

1 1/2"

11"

3/4"

5"

EXISTING CONDUIT
OPENING IN THE FLOOR
CANE DETECTION RAIL
(SEE SEPARATE SUBMITTAL)

2 FIDS STRUCTURE PLAN

1
200

1 1/2"

16" O.D.

7 7/8" ± 5 1/8" ±

3

1/16" END CAP

14 GA. #4 BRUSHED STAINLESS STEEL CLADDING
HSS 6" x 6" x 5/16" STEEL, TYPICAL
FIDS SCREENS AND MOUNTING BRACKET
WITH FRAME, TYPICAL

FINISH FLOOR
0'-0"

1/4"

13/4"

11"

12 3/4"

5"

2 1/2" [1'-9 1/2"]

37" [3'-1"]

12" [1'-0"]

37" [3'-1"]

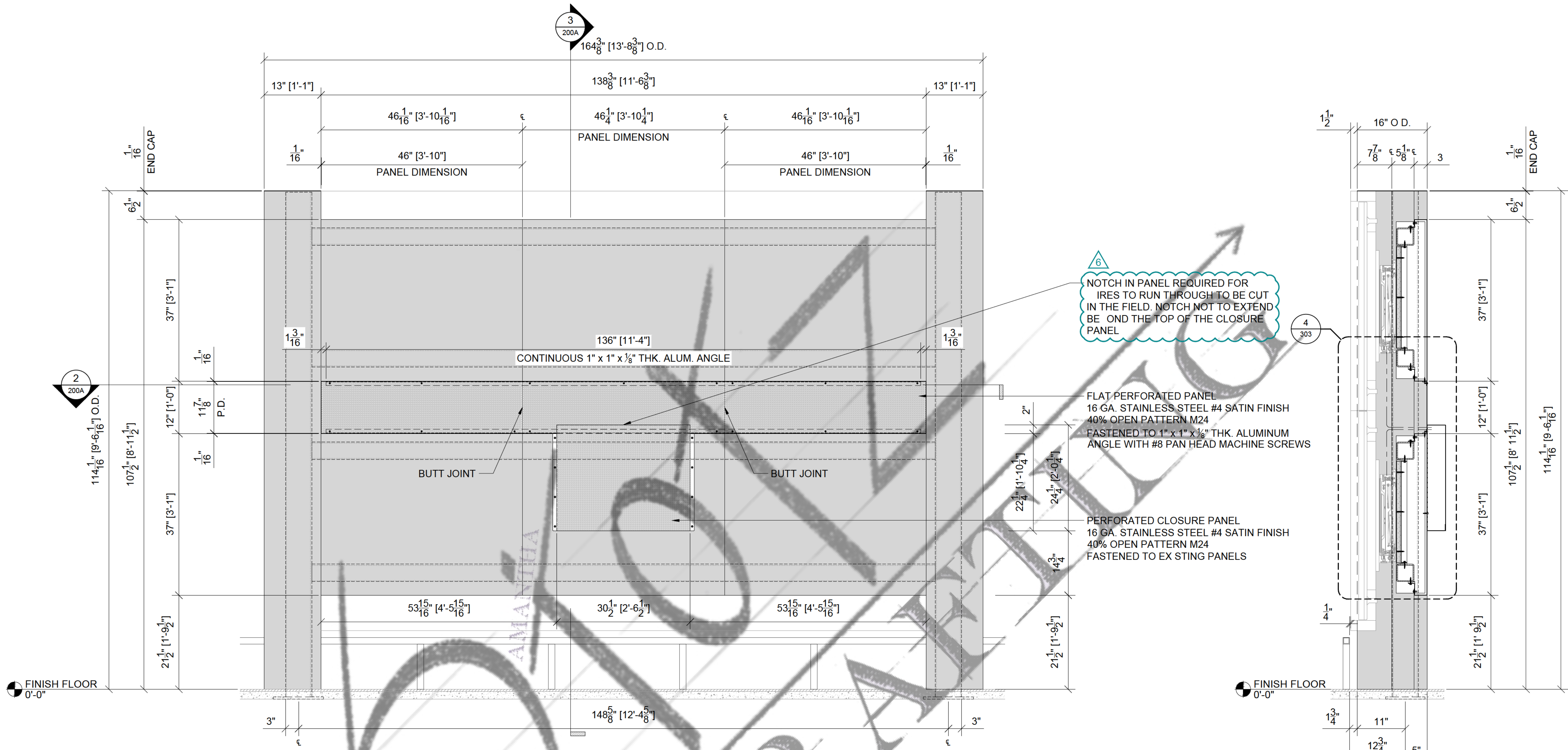
107 1/2" [8'-11 1/2"]

114 1/16" [9'-6 1/16"]

3 FIDS STRUCTURE SECTION

TITLE:	ELEVATIONS & SECTIONS
SCALE:	1" = 1'-0"
SHEET #:	200

SAMPLE DRAWINGS

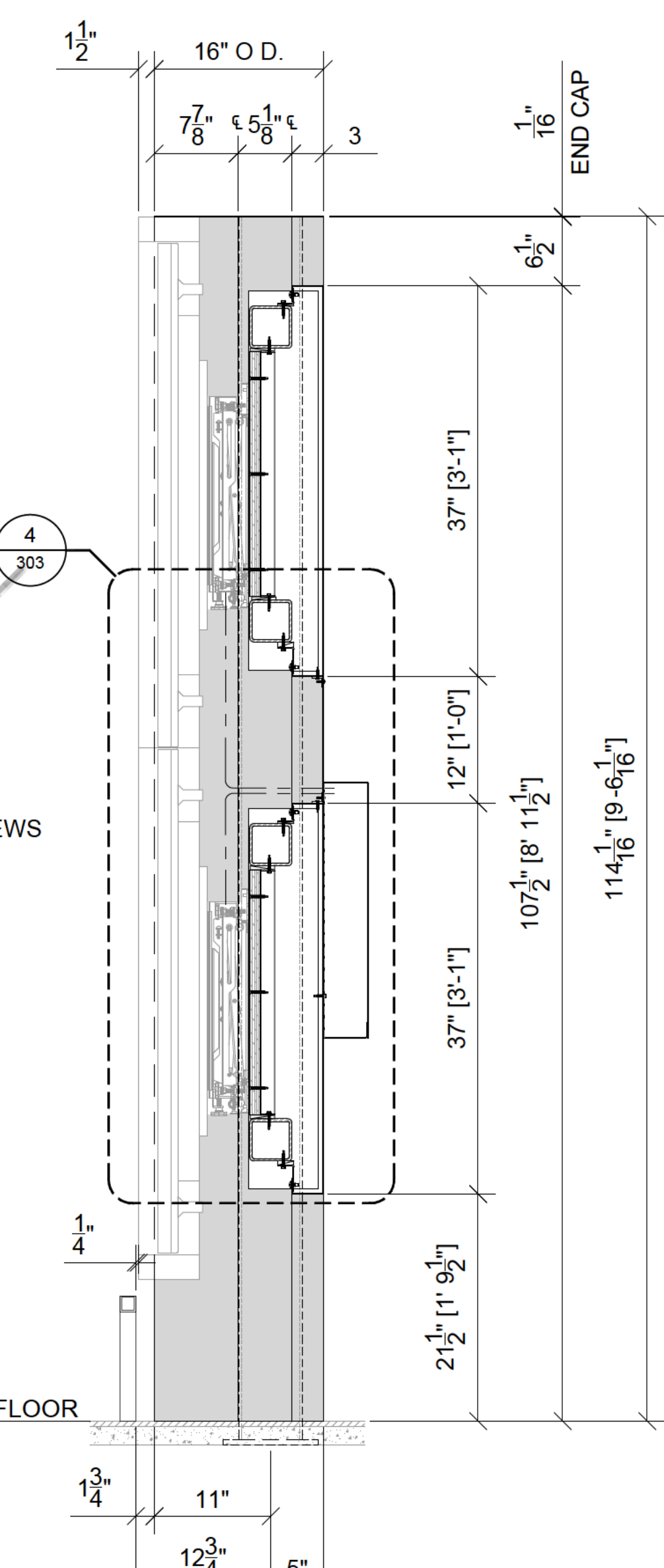


1A BACK OF FIDS STRUCTURE ELEVATION
SCALE: 1" = 1'-0"

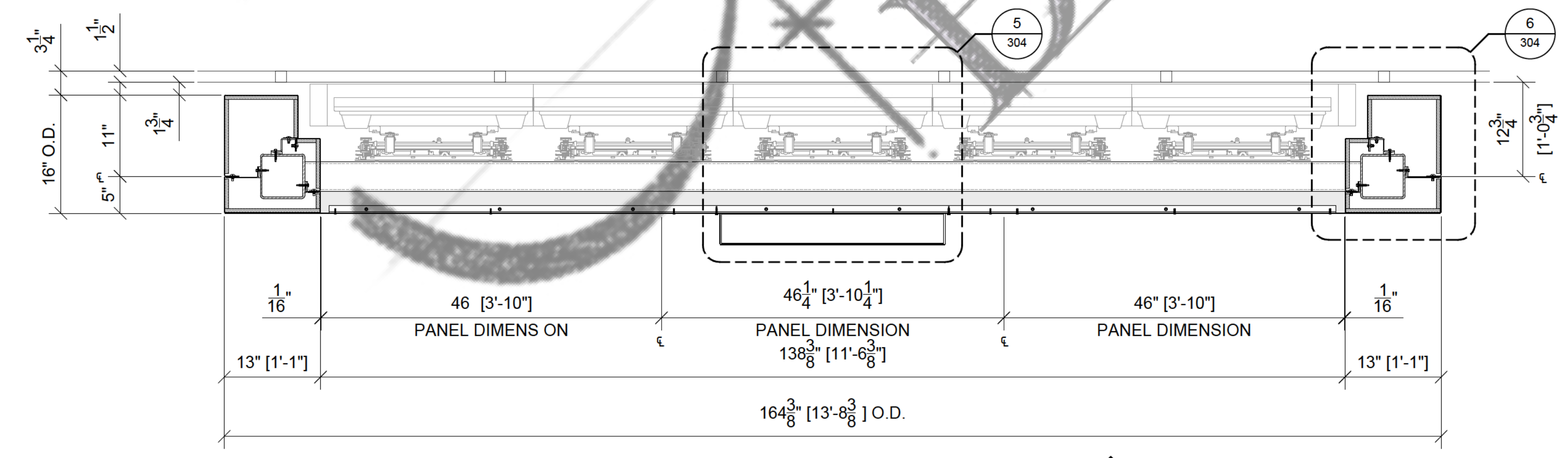
6
NOTCH IN PANEL REQUIRED FOR WIRES TO RUN THROUGH TO BE CUT IN THE FIELD. NOTCH NOT TO EXTEND BEYOND THE TOP OF THE CLOSURE PANEL

FLAT PERFORATED PANEL
16 GA. STAINLESS STEEL #4 SATIN FINISH
40% OPEN PATTERN M24
FASTENED TO 1" x 1" x 1/8" THK. ALUMINUM ANGLE WITH #8 PAN HEAD MACHINE SCREWS

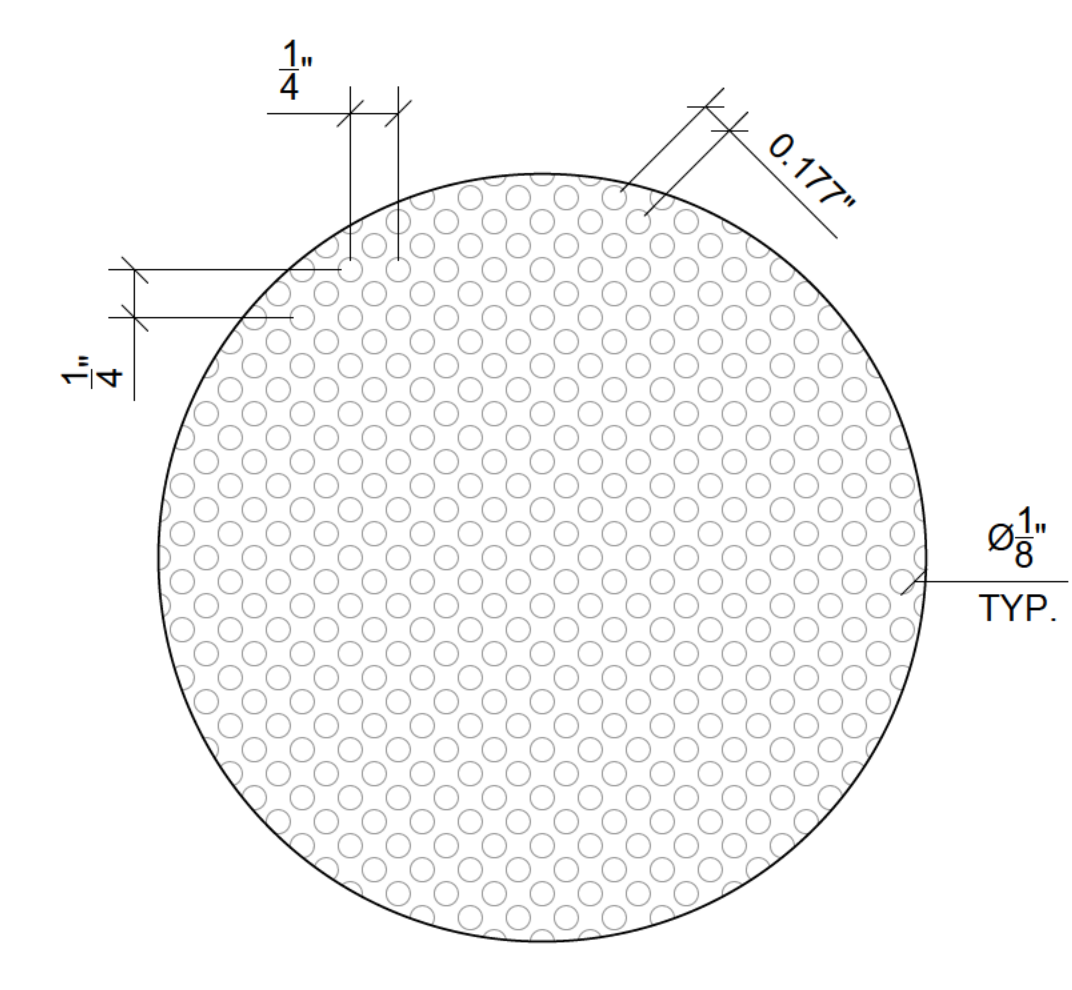
PERFORATED CLOSURE PANEL
16 GA. STAINLESS STEEL #4 SATIN FINISH
40% OPEN PATTERN M24
FASTENED TO EXISTING PANELS



3 FIDS STRUCTURE SECTION
SCALE: 1" = 1'-0"



2 FIDS STRUCTURE PLAN
SCALE: 1" = 1'-0"



A TYPICAL PATTERN M24
SCALE: 1" = 1'-0"

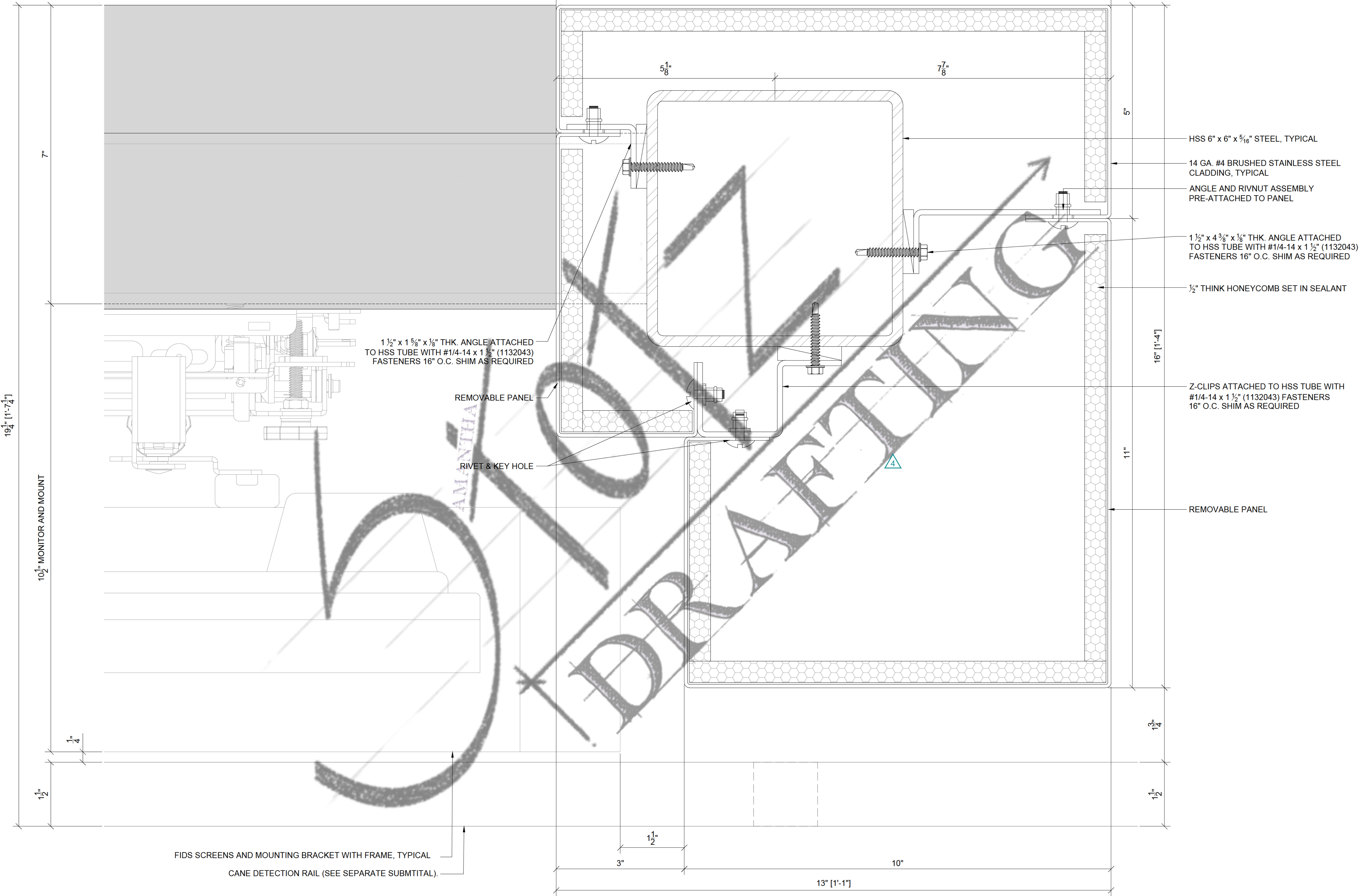
SAMPLE DRAWINGS

TITLE:	ELEVATIONS & SECTIONS
SCALE:	1" = 1'-0"
SHEET #:	200A

3

PANEL DIMENSION

13" [1'-1"]



- HSS 6" x 6" x 5/16" STEEL, TYPICAL
- 14 GA. #4 BRUSHED STAINLESS STEEL CLADDING, TYPICAL
- ANGLE AND RIVNUT ASSEMBLY PRE-ATTACHED TO PANEL
- 1 1/2" x 4 3/8" x 1/8" THK. ANGLE ATTACHED TO HSS TUBE WITH #1/4-14 x 1 1/2" (1132043) FASTENERS 16" O.C. SHIM AS REQUIRED
- 1/2" THICK HONEYCOMB SET IN SEALANT
- Z-CLIPS ATTACHED TO HSS TUBE WITH #1/4-14 x 1 1/2" (1132043) FASTENERS 16" O.C. SHIM AS REQUIRED
- REMOVABLE PANEL

1 1/2" x 1 5/8" x 1/8" THK. ANGLE ATTACHED TO HSS TUBE WITH #1/4-14 x 1 1/2" (1132043) FASTENERS 16" O.C. SHIM AS REQUIRED

REMOVABLE PANEL

RIVET & KEY HOLE

FIDS SCREENS AND MOUNTING BRACKET WITH FRAME, TYPICAL
CANE DETECTION RAIL (SEE SEPARATE SUBMITTAL).

2 ENLARGED FIDS STRUCTURE PLAN

SAMPLE DRAWINGS

TITLE:	DETAILS
SCALE:	6" = 1'-0"
SHEET #:	301

5

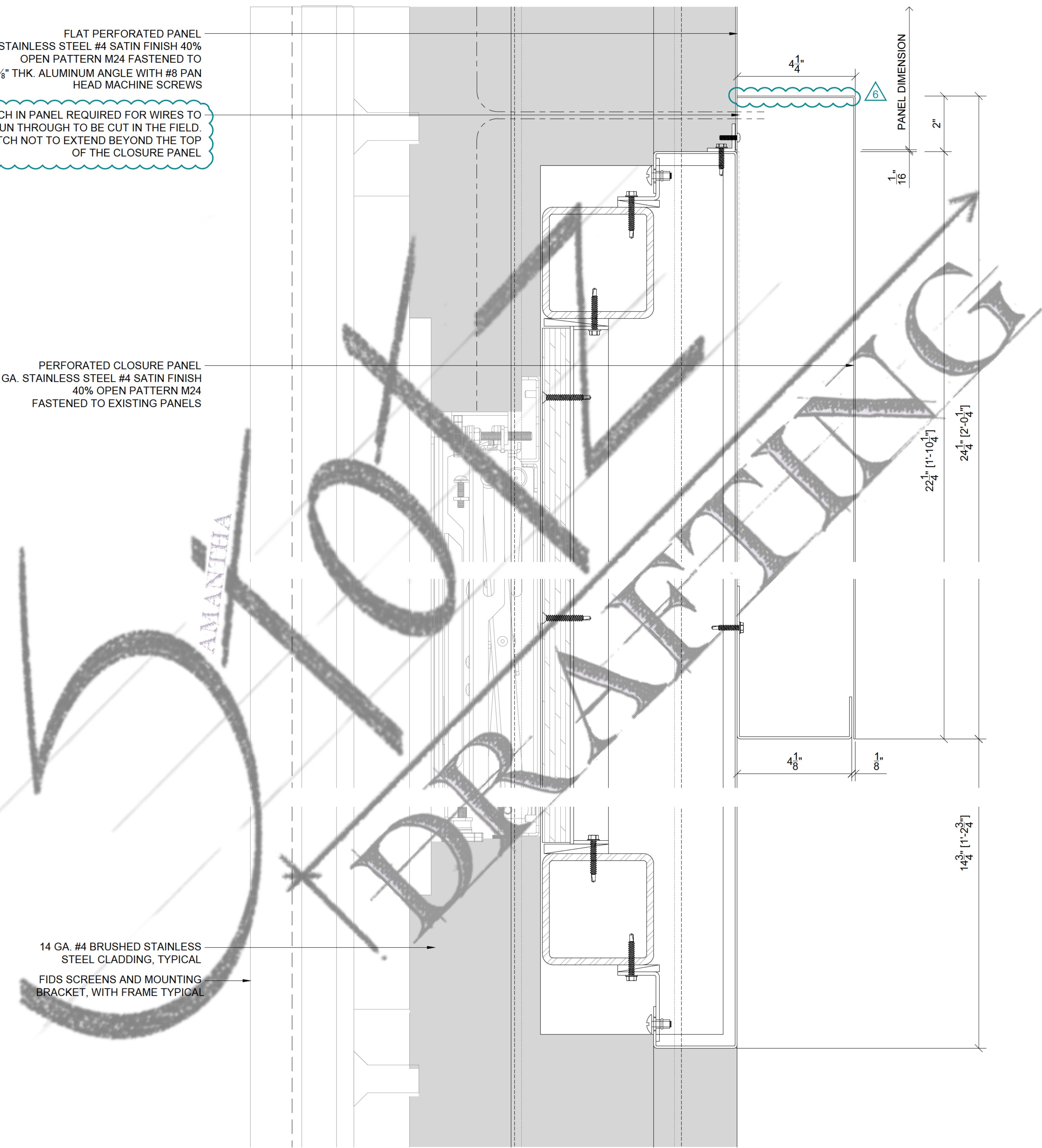
FLAT PERFORATED PANEL
16 GA. STAINLESS STEEL #4 SATIN FINISH 40%
OPEN PATTERN M24 FASTENED TO
1" X 1" X 1/8" THK. ALUMINUM ANGLE WITH #8 PAN
HEAD MACHINE SCREWS

6

NOTCH IN PANEL REQUIRED FOR WIRES TO
RUN THROUGH TO BE CUT IN THE FIELD.
NOTCH NOT TO EXTEND BEYOND THE TOP
OF THE CLOSURE PANEL

PERFORATED CLOSURE PANEL
16 GA. STAINLESS STEEL #4 SATIN FINISH
40% OPEN PATTERN M24
FASTENED TO EXISTING PANELS

14 GA. #4 BRUSHED STAINLESS
STEEL CLADDING, TYPICAL
FIDS SCREENS AND MOUNTING
BRACKET, WITH FRAME TYPICAL

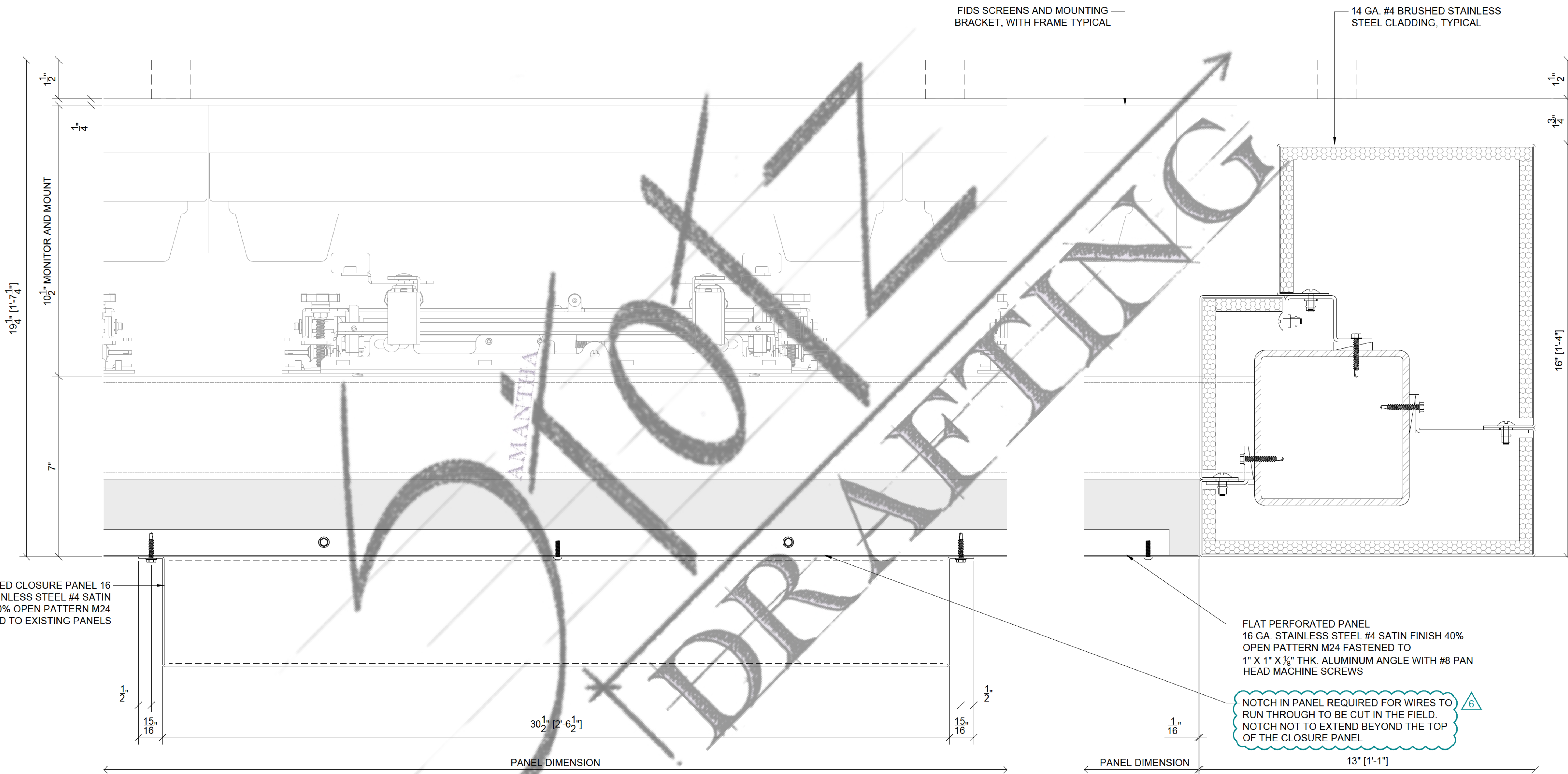


4 ENLARGED FIDS STRUCTURE
SECTION AT PERFORATED PANEL
SCALE: 6" = 1'-0"

SAMPLE DRAWINGS

TITLE:	DETAILS
SCALE:	6" = 1'-0"
SHEET #:	303

5



5 ENLARGED FIDS STRUCTURE
PLAN AT PERFORATED CLOSURE PANEL
SCALE: 6" = 1'-0"

6 ENLARGED FIDS STRUCTURE
PLAN AT PERFORATED PANEL
SCALE: 6" = 1'-0"

SAMPLE DRAWINGS

TITLE:	DETAILS
SCALE:	6" = 1'-0"
SHEET #:	304