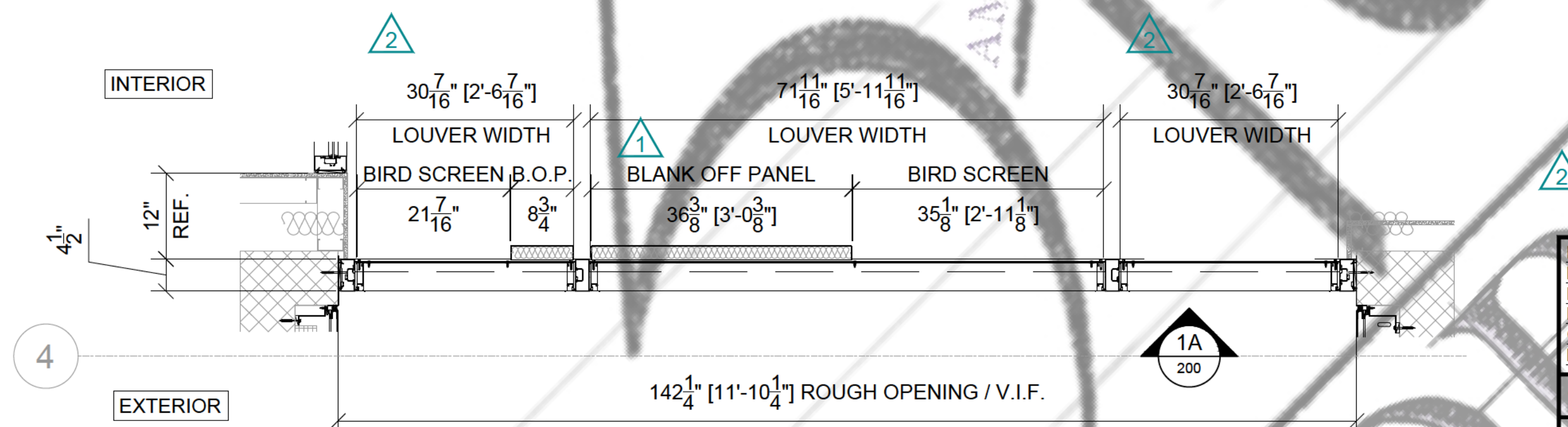


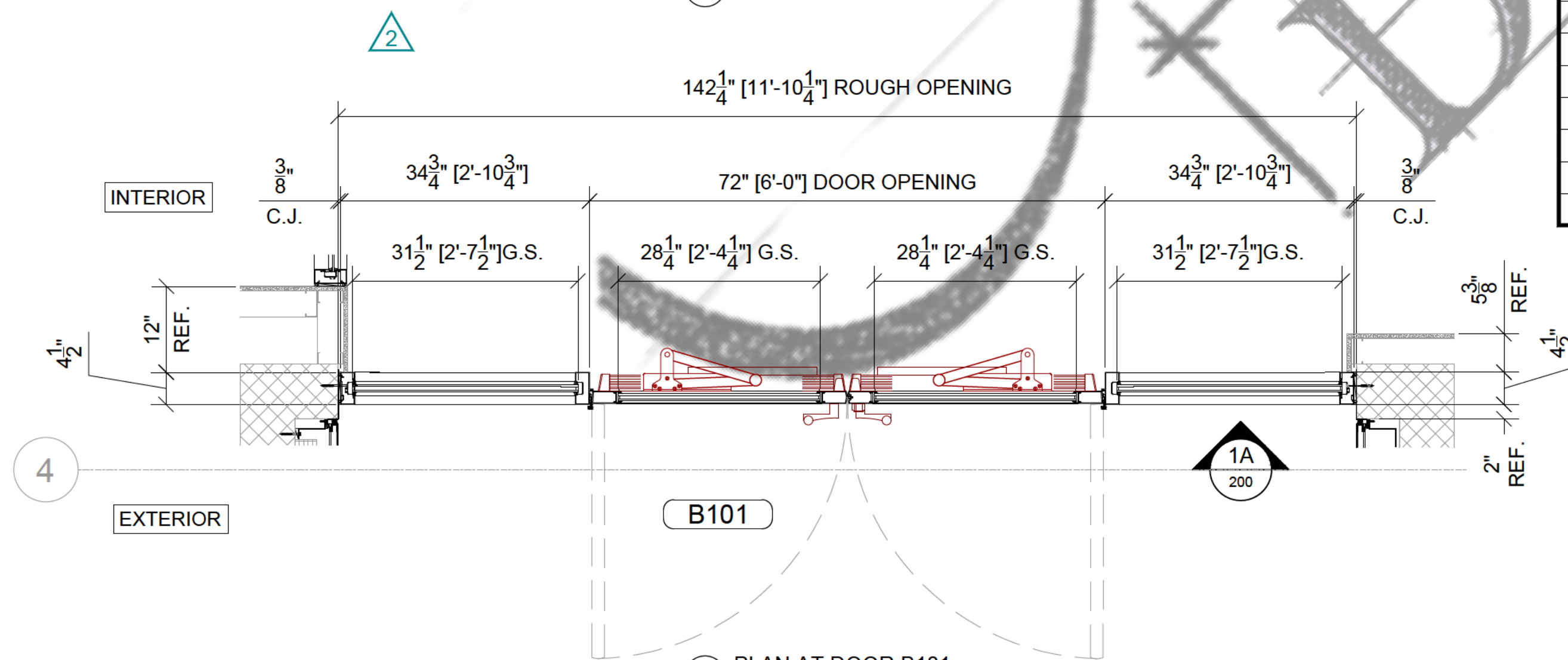
1A ELEVATION SF-F
SCALE: 3/4" = 1'-0"

4 SECTION AT SIDELITE
SCALE: 3/4" = 1'-0"

5 SECTION AT DOOR B101
SCALE: 3/4" = 1'-0"



2 PLAN AT TRANSOM
SCALE: 3/4" = 1'-0"



3 PLAN AT DOOR B101
SCALE: 3/4" = 1'-0"

DOOR #:	B101			
HARDWARE SET:	2.0			
LOCATION:	VESTIBULE			
DOOR OPENING:	6'-0" x 7'-0"			
QUANTITY:	(1) PAIR			
FINISH:	MEDIUM BRONZE			

QTY.	HARDWARE DESCRIPTION	MODEL NUMBER	MANUFACTURER	FINISH
2	CONTINUOUS HINGE	112HD 83" (PREP ONE FOR EPT)	IVES	628
1	EXIT DEVICE	QEL-3547A-NL-OP x 388	VON DUPRIN	US26D
1	EXIT DEVICE	3547A-EO	VON DUPRIN	US26D
1	RIM CYLINDER	C953-7 CCA	FALCON LOCK	626
2	DOOR PULL	9264F 72" 1 3/4" DOOR TYPE A MTG.	IVES	630-316
2	AUTOMATIC OPERATOR	-	DORMA	-
1	SADDLE THRESHOLD	425 E 72"	NATIONAL GUARD	AL
1	POWER TRANSFER	EPT10	VON DUPRIN	689
1	POWER SUPPLY	PS902	VON DUPRIN	-

* CARD READER AND DOOR CONTACTS SUPPLIED BY SECURITY CONTRACTOR*

EXTERIOR STOREFRONT - BOSTON SF-F
REQ. THUS: 1
SYSTEM: 2" X 4 1/2" KAWNEER 451T
DOOR: KAWNEER 350 MEDIUM STILE ALUMINUM
10" BOTTOM RAIL
LOUVER: AIROLITE K6744X W/ BLANK-OFF PANEL/BIRD SCREEN
GLASS: GL-01 1" THK IGU (1/4" THK. PILKINGTON SUPERGREY HIGH PERFORMANCE TINT, 1/2" AIRSPACE 90% ARGON 10% AIR FILL, 1/4" THK PILKINGTON CLEAR)
FINISH: MEDIUM BRONZE

GLASS SCHEDULE				
MARK	QTY	GLASS TYPE	WIDTH	HEIGHT
F1	2	GL-01	31 1/2"	79 3/8"
F2	2	GL-01	28 3/4"	69 5/16"

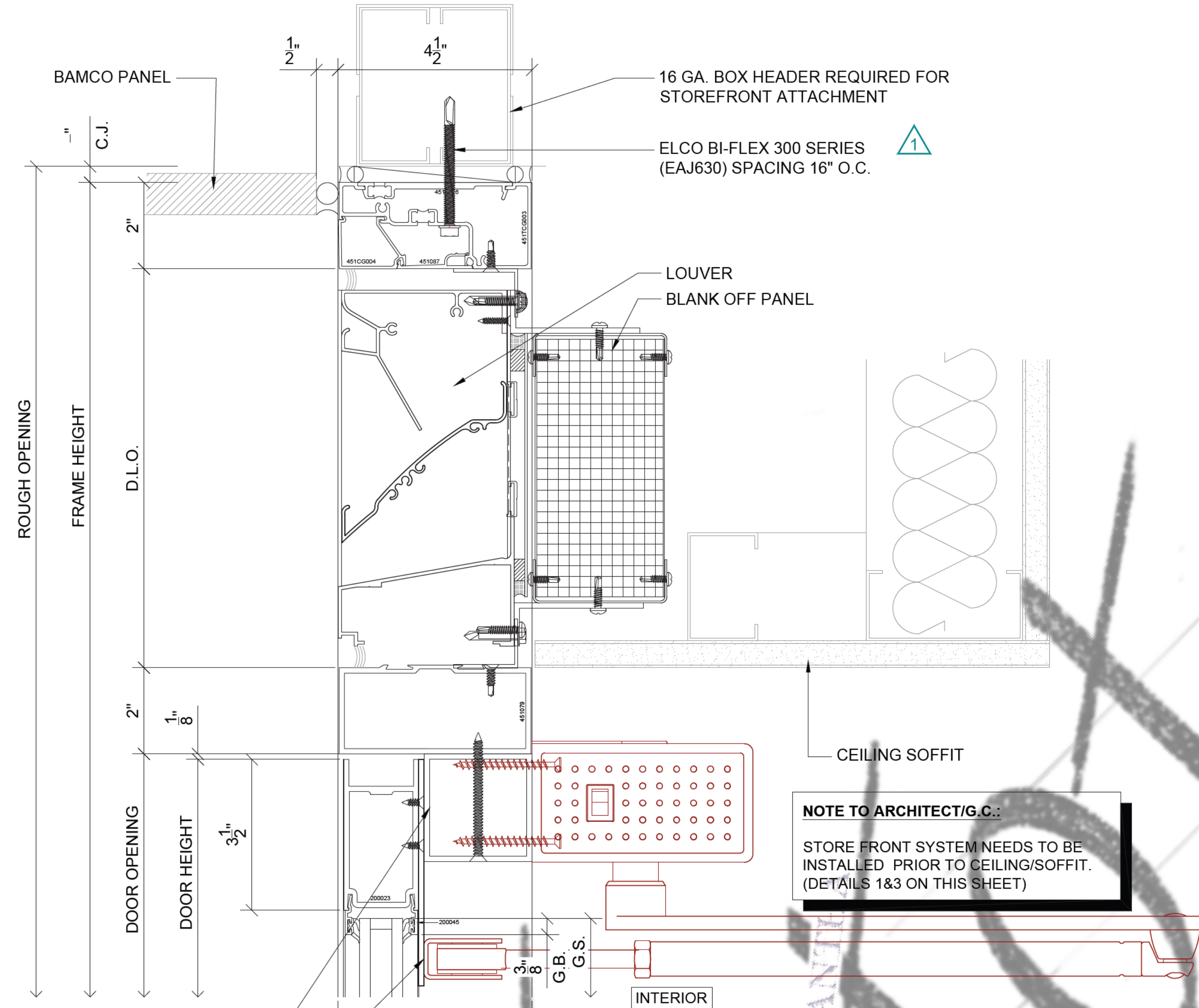
GL-01: 1" THK. LOW E COATED INSULATED

LOUVER SCHEDULE					
MARK	QTY	TYPE	WIDTH	HEIGHT	NOTES
L-1	2	LV-01	30 7/16"	8 1/16"	BIRD SCREEN
L-2	1	LV-01	71 1/16"	8 1/16"	BLANK OFF PANEL AND BIRD SCREEN

FOR FABRICATION

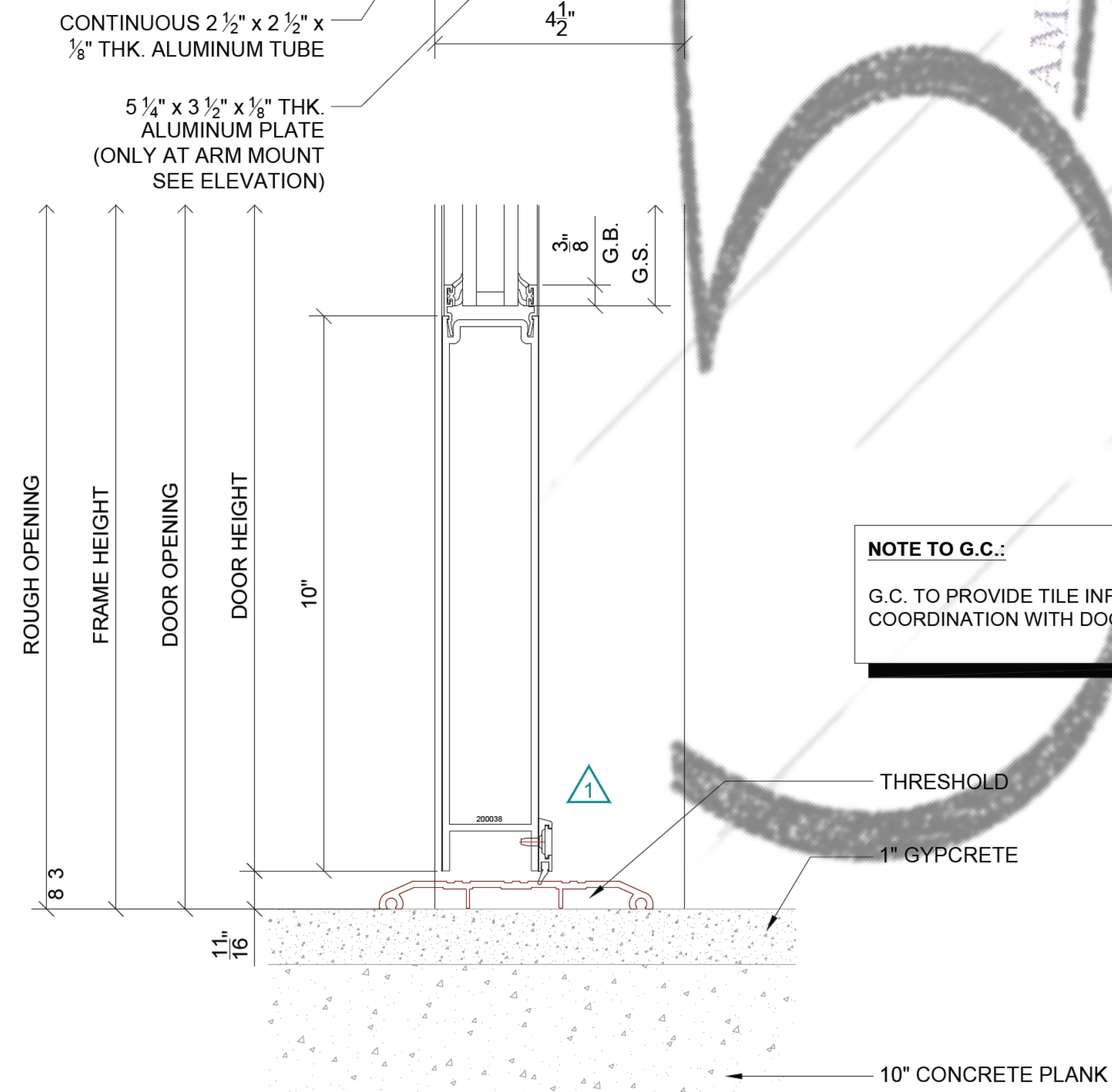
1
ARCH REF:
2/A-405

EXTERIOR



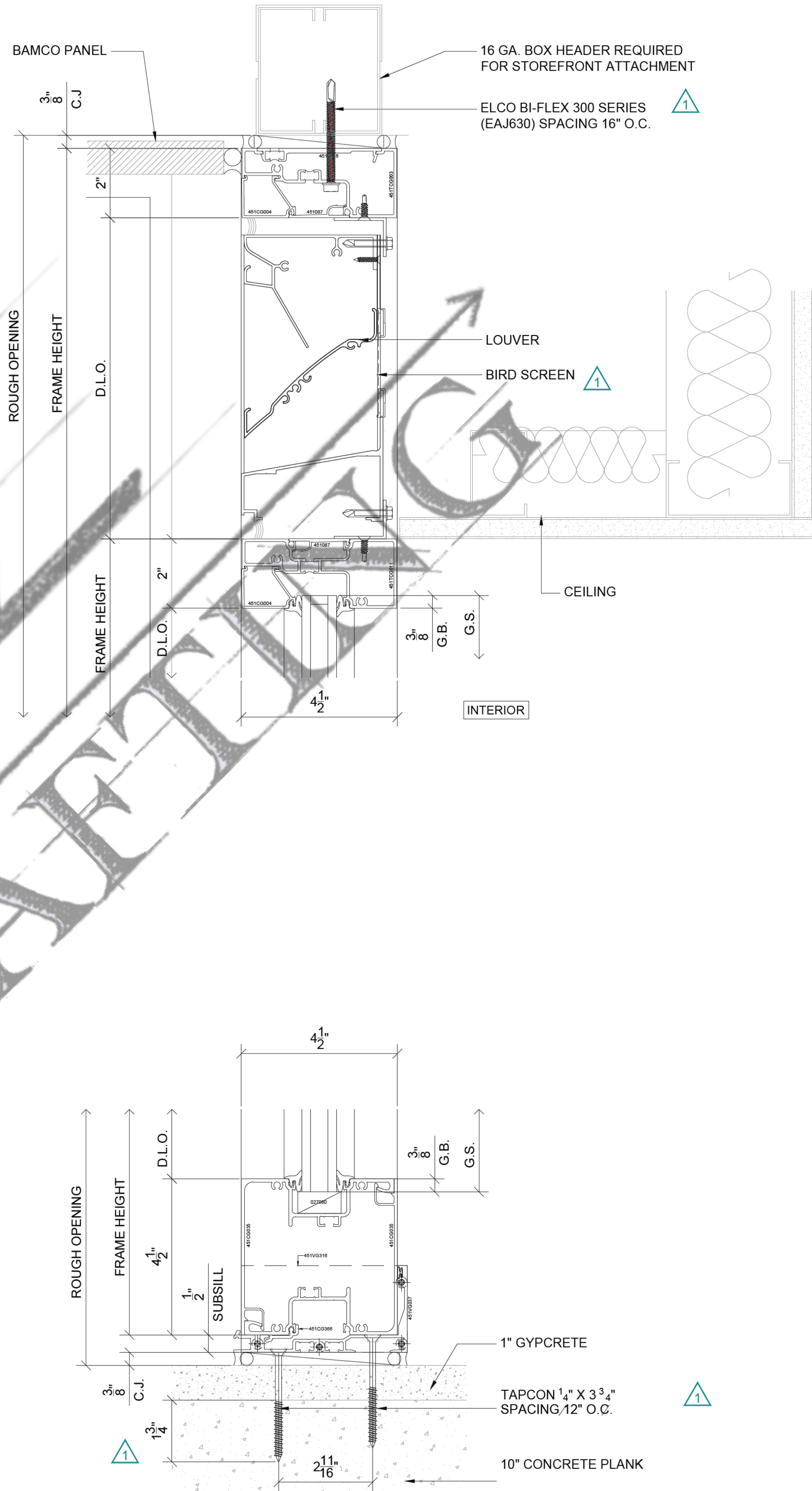
NOTE TO ARCHITECT/G.C.:
STORE FRONT SYSTEM NEEDS TO BE
INSTALLED PRIOR TO CEILING/SOFFIT.
(DETAILS 1&3 ON THIS SHEET)

2
ARCH REF:
2/A-405



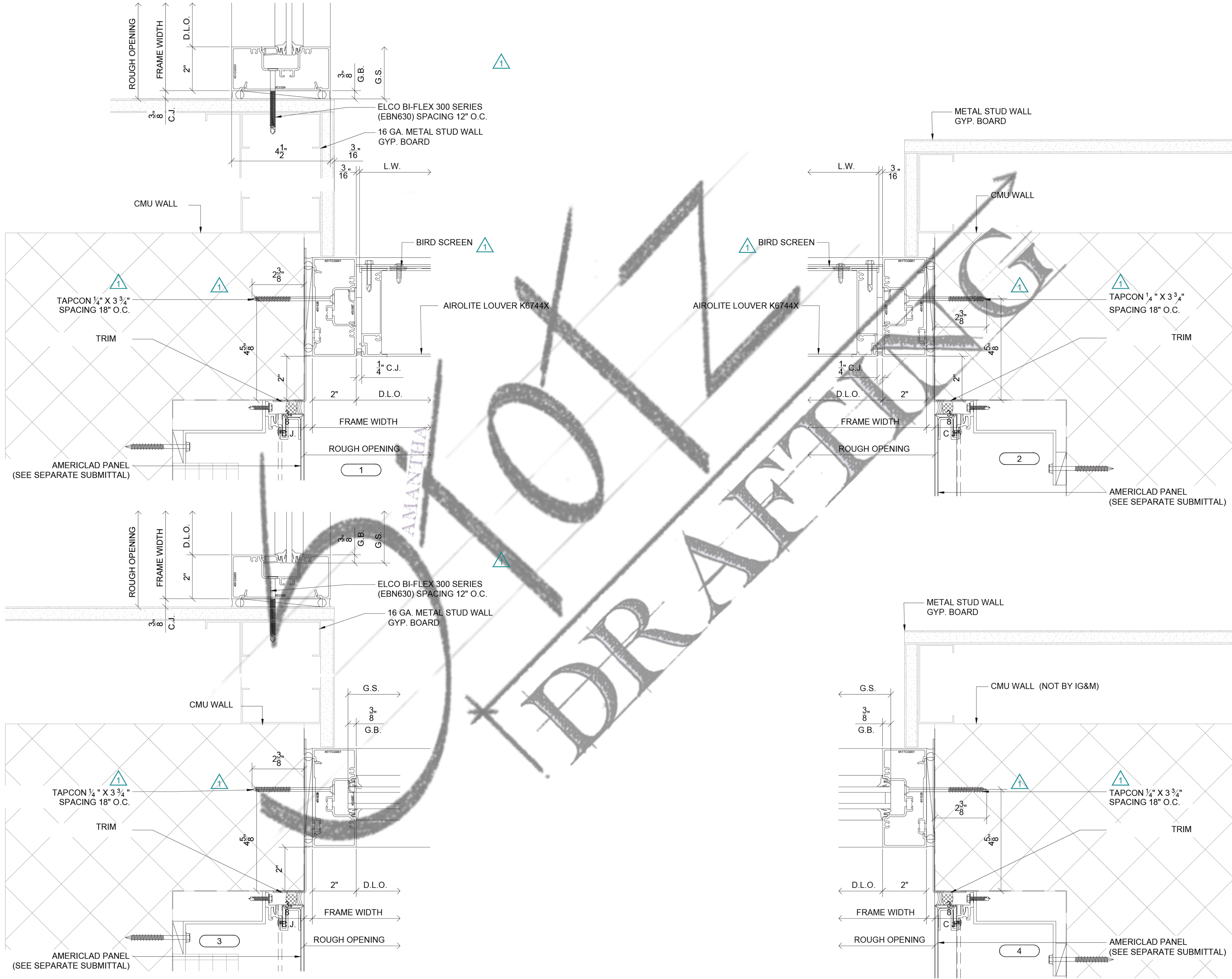
NOTE TO G.C.:
G.C. TO PROVIDE TILE INFORMATION FOR
COORDINATION WITH DOOR THRESHOLD.

4
ARCH REF:
2/A-405



SAMPLE DRAWINGS

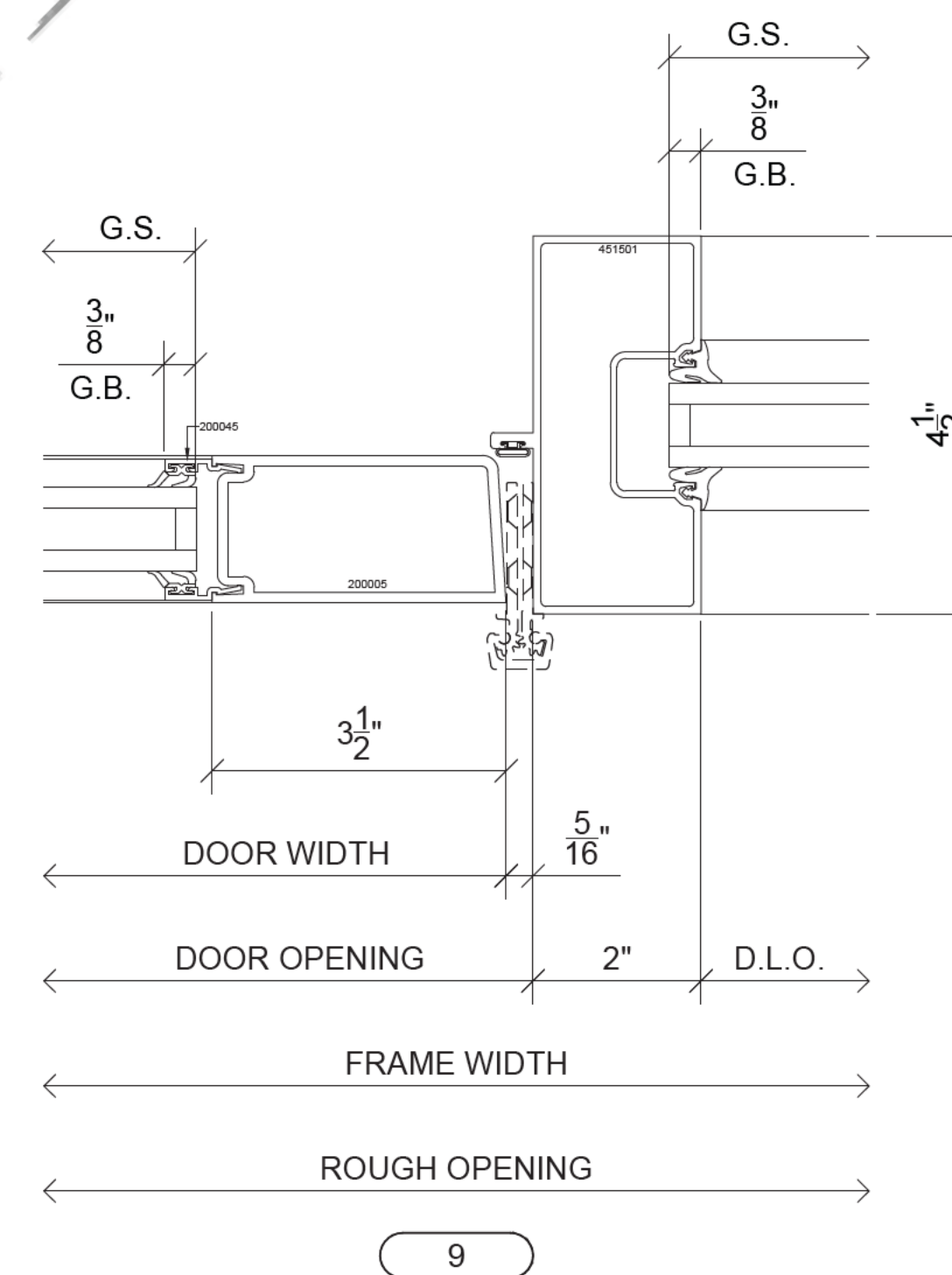
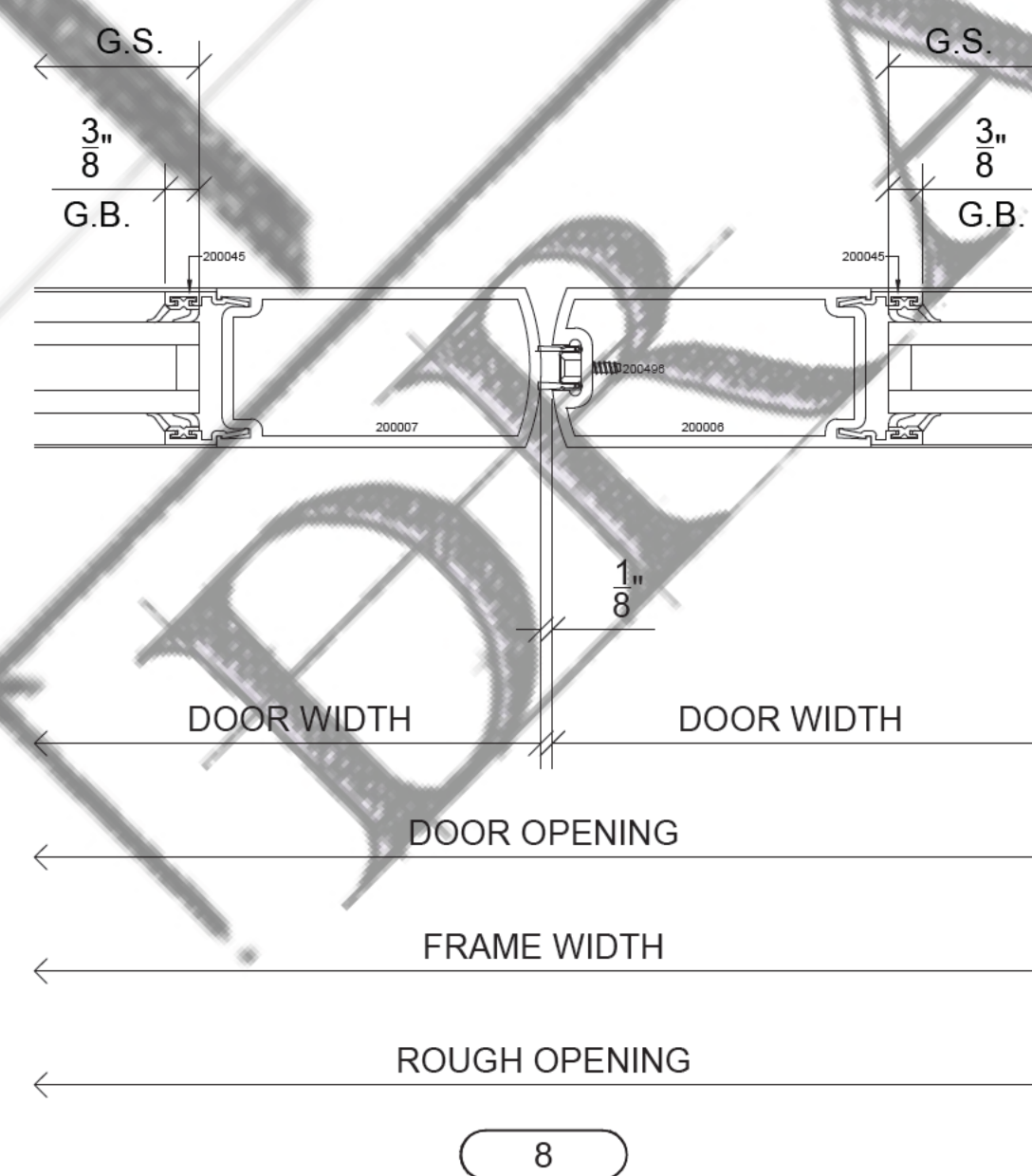
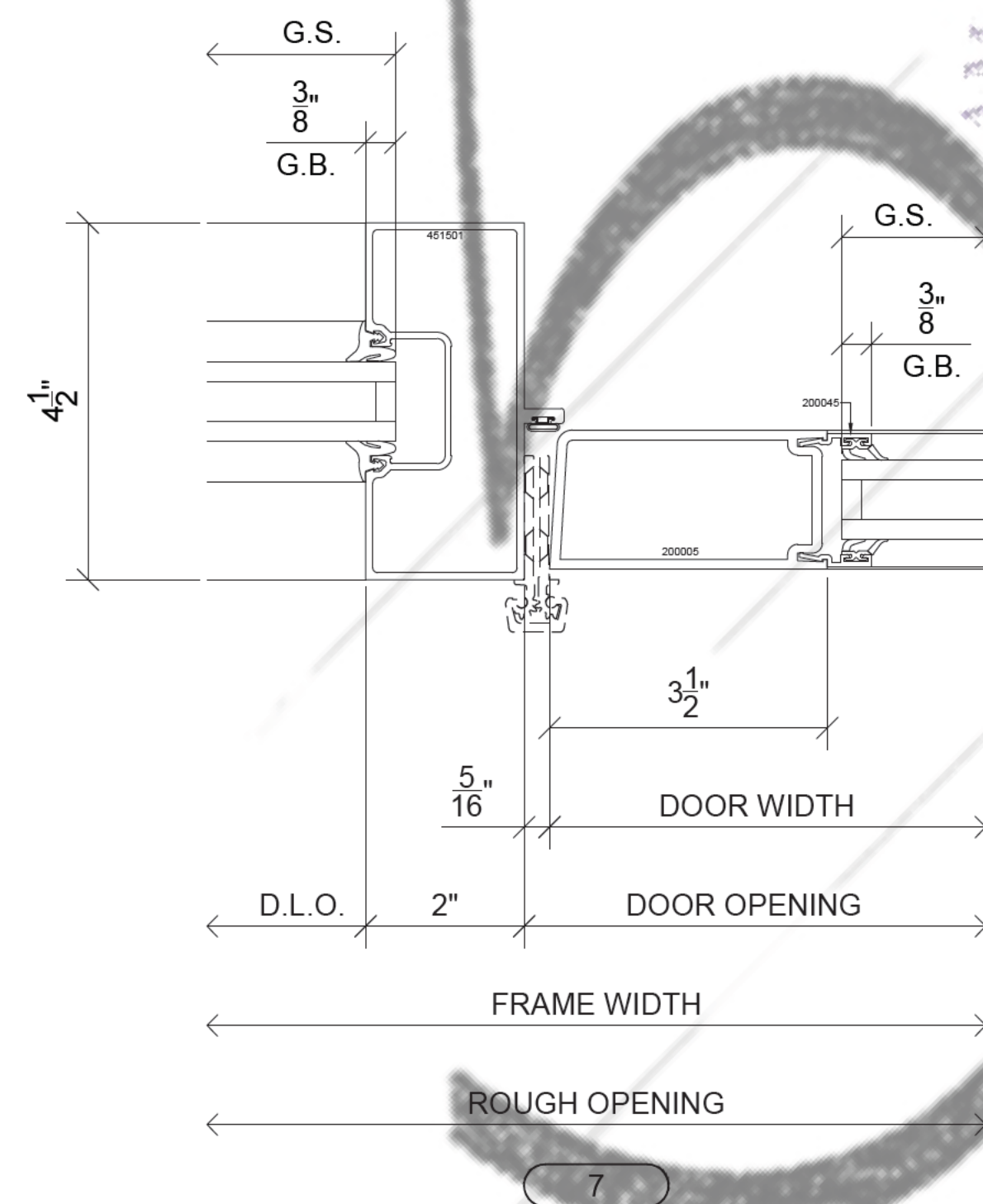
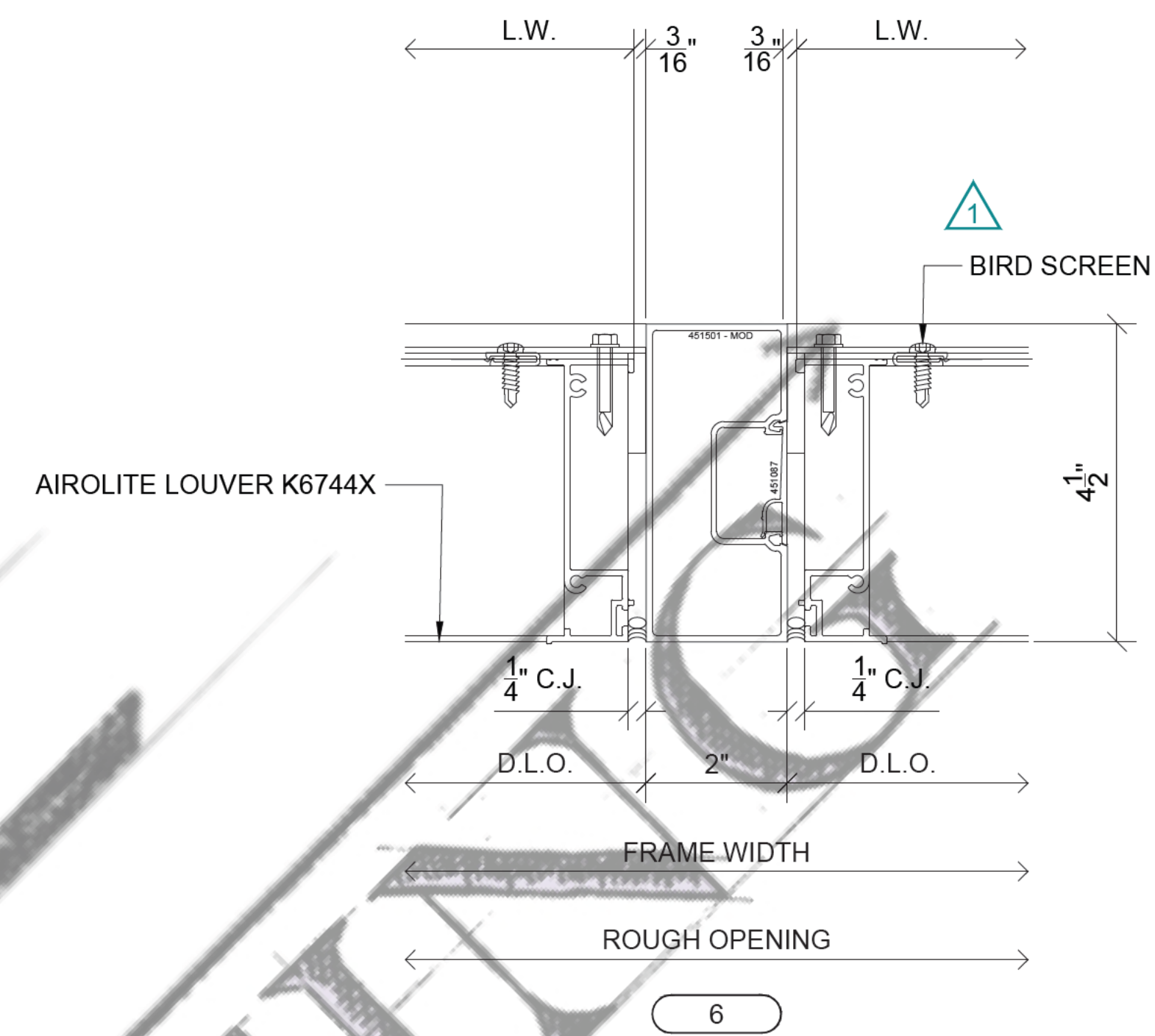
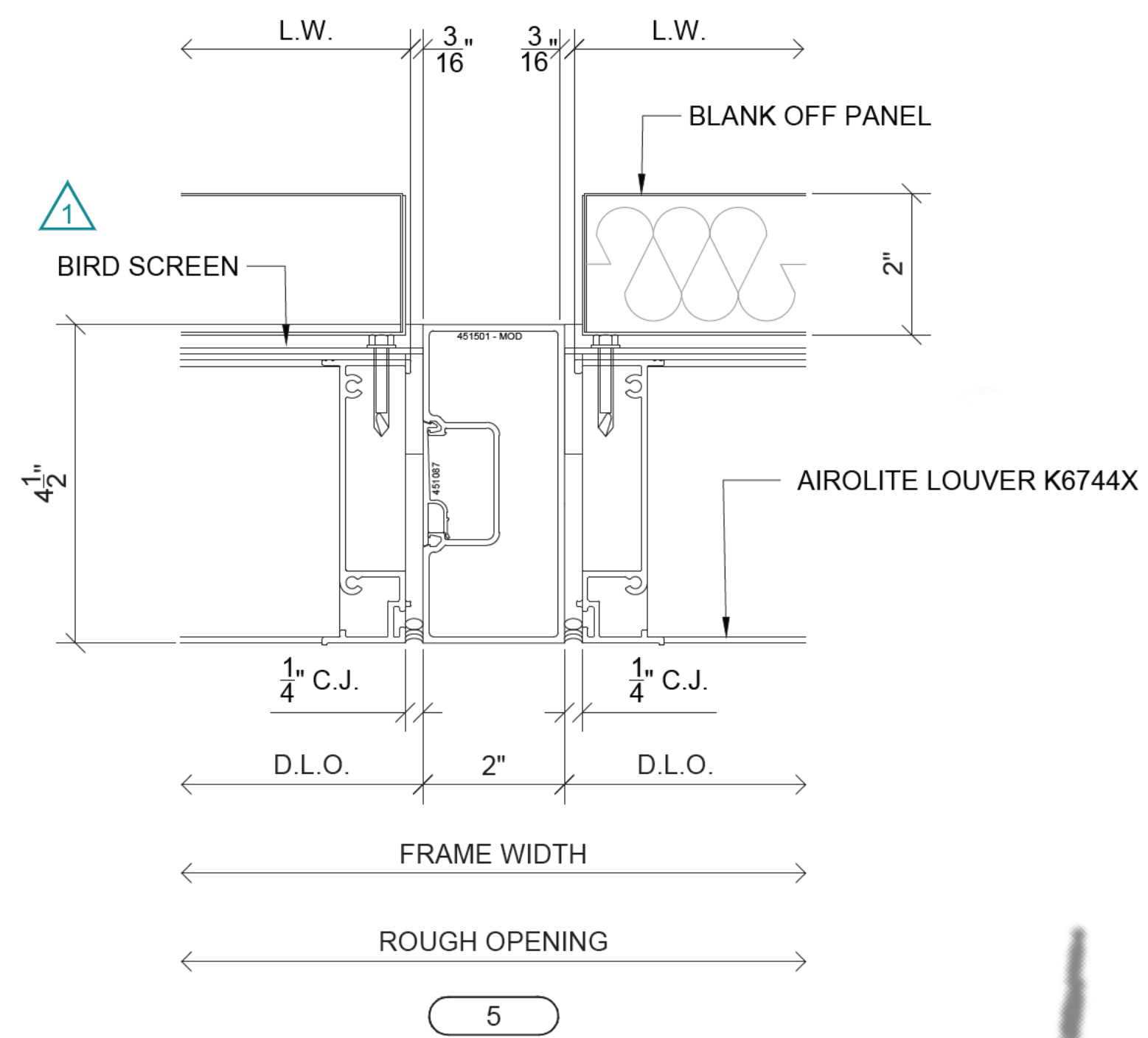
TITLE:	EXTERIOR SECTION DETAILS
SCALE:	6" = 1'-0"
SHEET #:	300



FOR AMANTHA DRAFTING

SAMPLE DRAWINGS

TITLE:	EXTERIOR PLAN DETAILS
SCALE:	6" = 1'-0"
SHEET #:	400



SAMPLE DRAWINGS

TITLE:	EXTERIOR PLAN DETAILS
SCALE:	6" = 1'-0"
SHEET #:	401