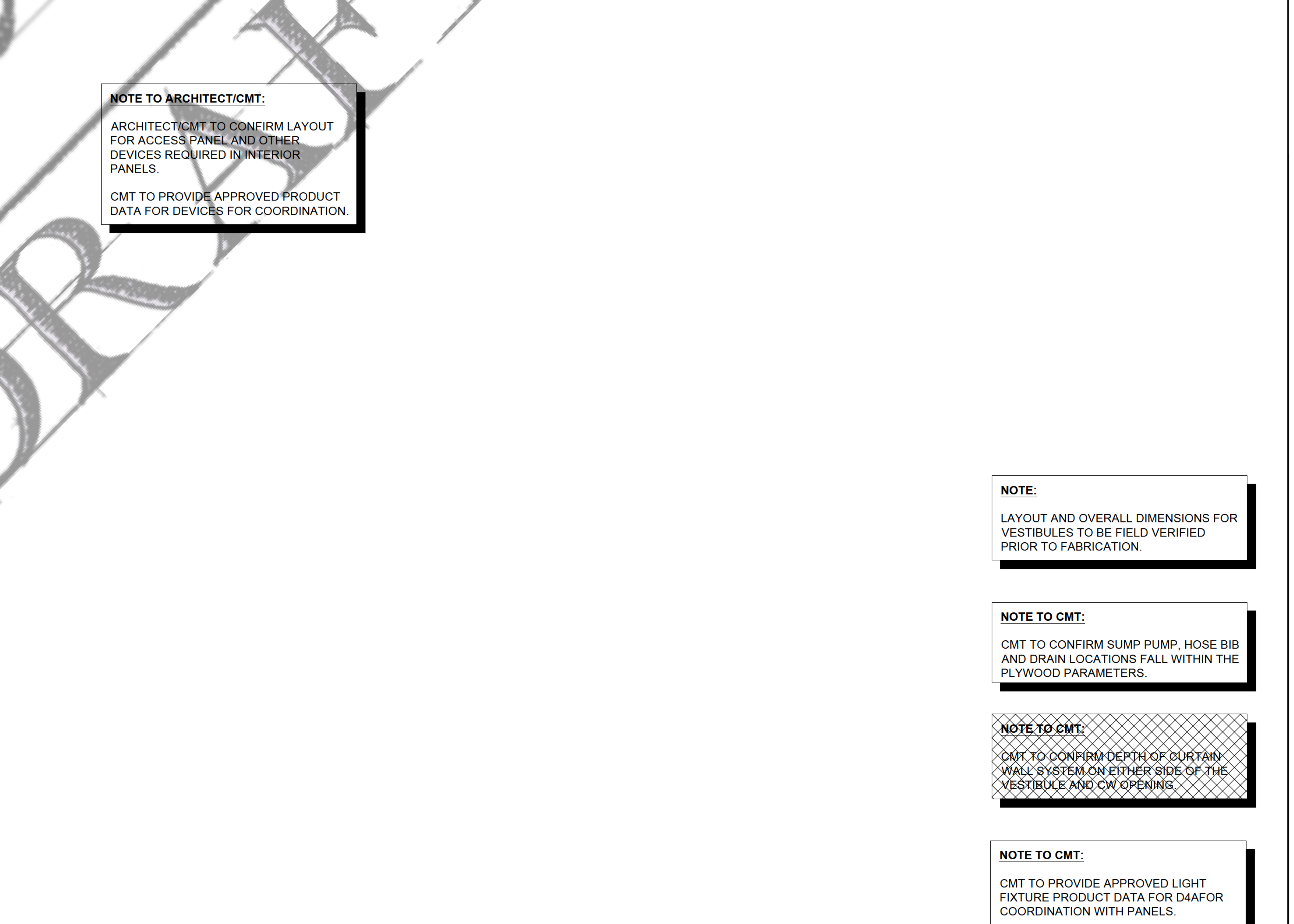
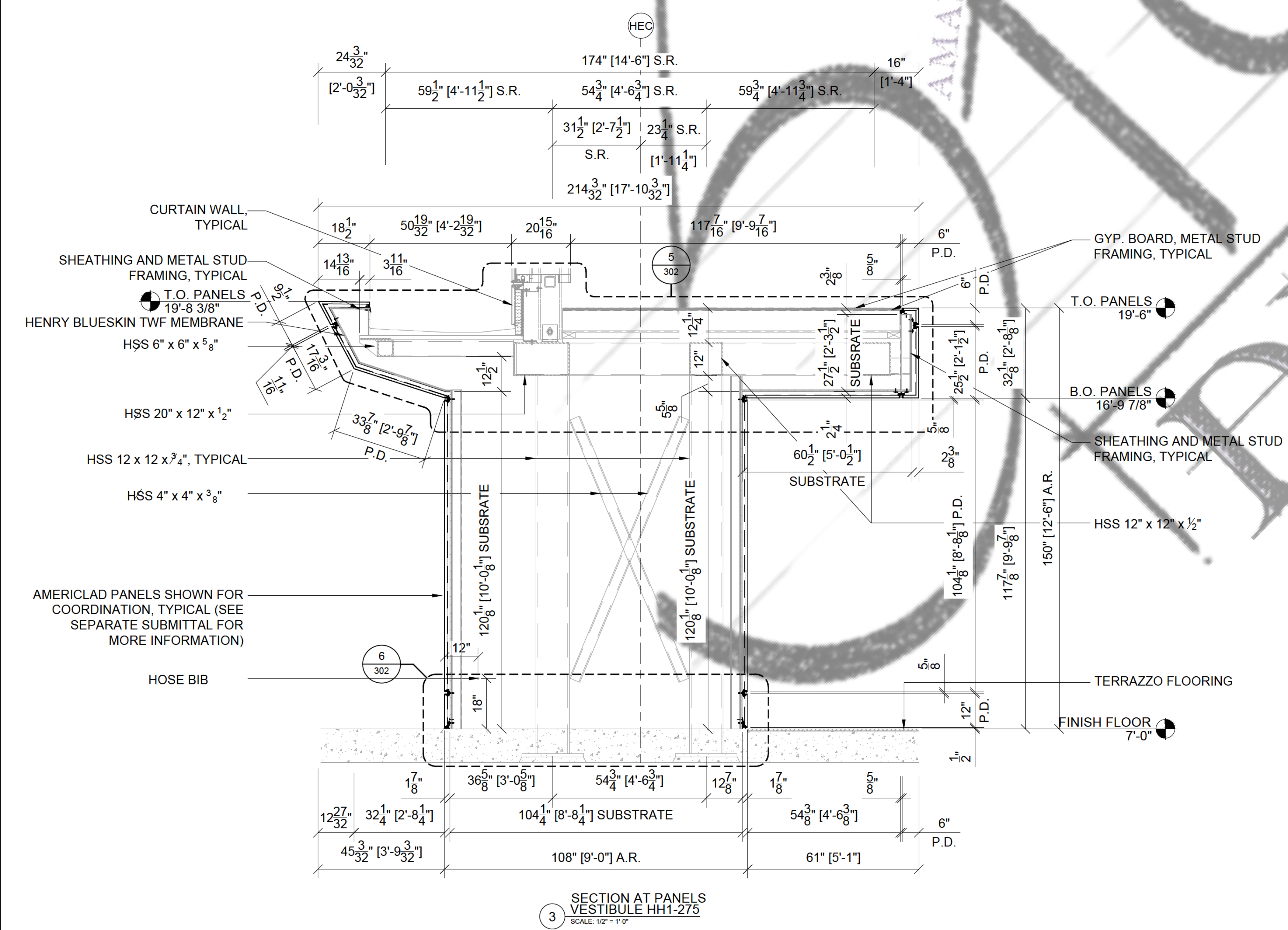
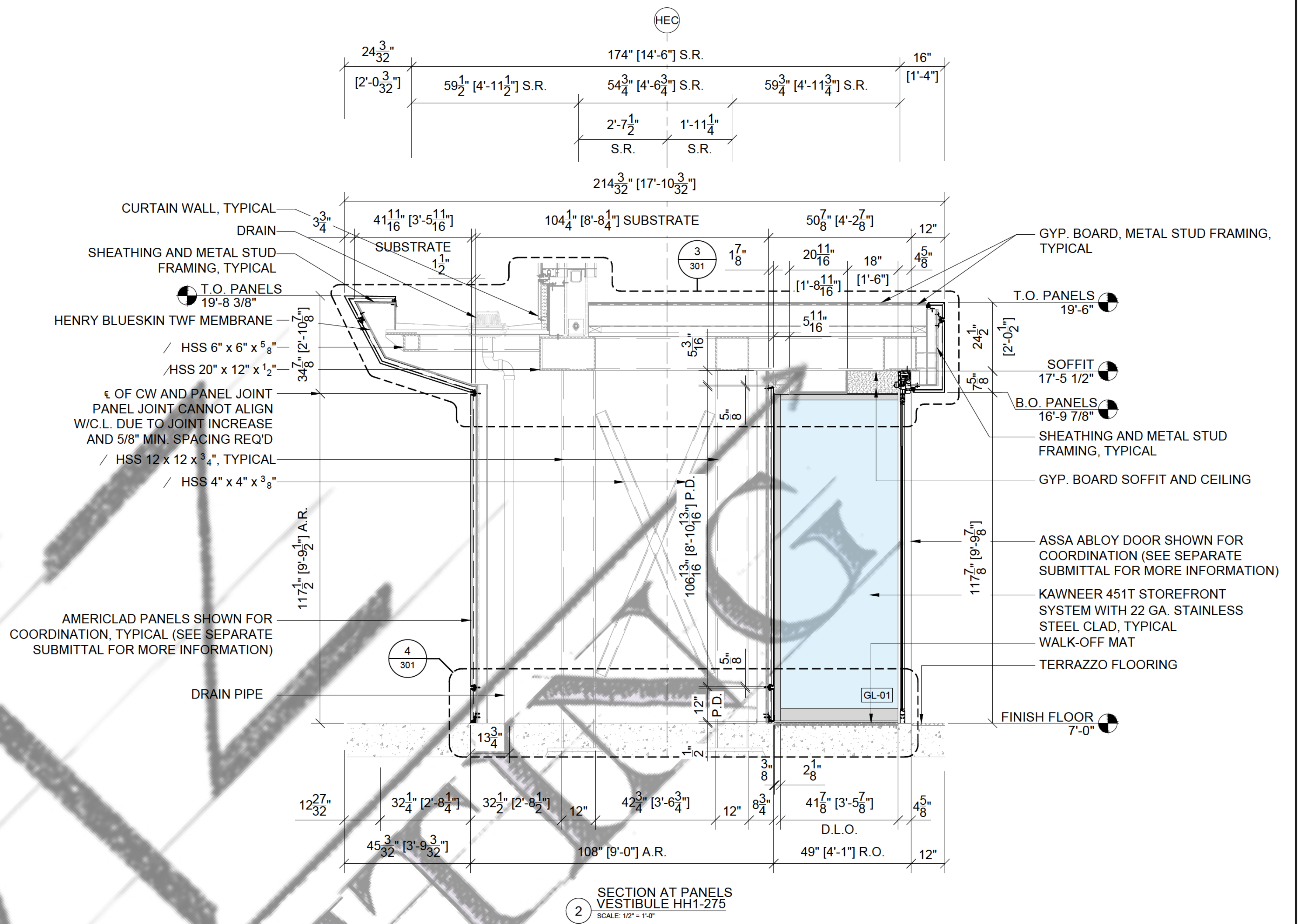
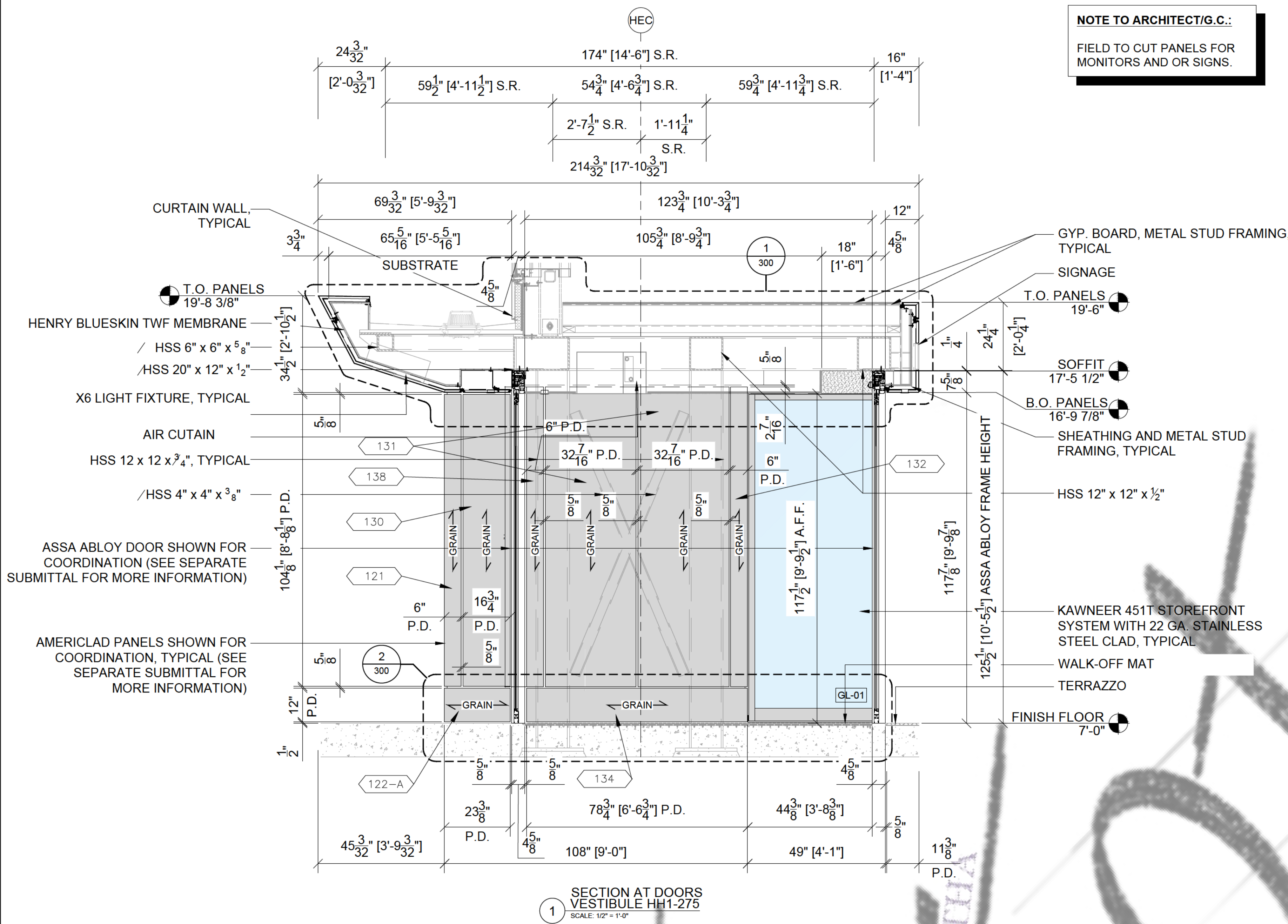


**NOTE TO ARCHITECT/G.C.:**  
AMERICLAD PANEL SYSTEM AC-1200 BV HAS A MINIMUM RETURN DIMENSION OF 6" BECAUSE OF FABRICATION LIMITATIONS. ALL 3" RETURNS SHOWN ON ARCHITECTURAL DETAILS AND ELEVATIONS ARE NOW 6".

SAMPLE DRAWINGS

TITLE:	VESTIBULE HH1-275 ELEVATIONS
SCALE:	1/2" = 1'-0"
SHEET #:	200A



**NOTE:**  
LAYOUT AND OVERALL DIMENSIONS FOR VESTIBULES TO BE FIELD VERIFIED PRIOR TO FABRICATION.

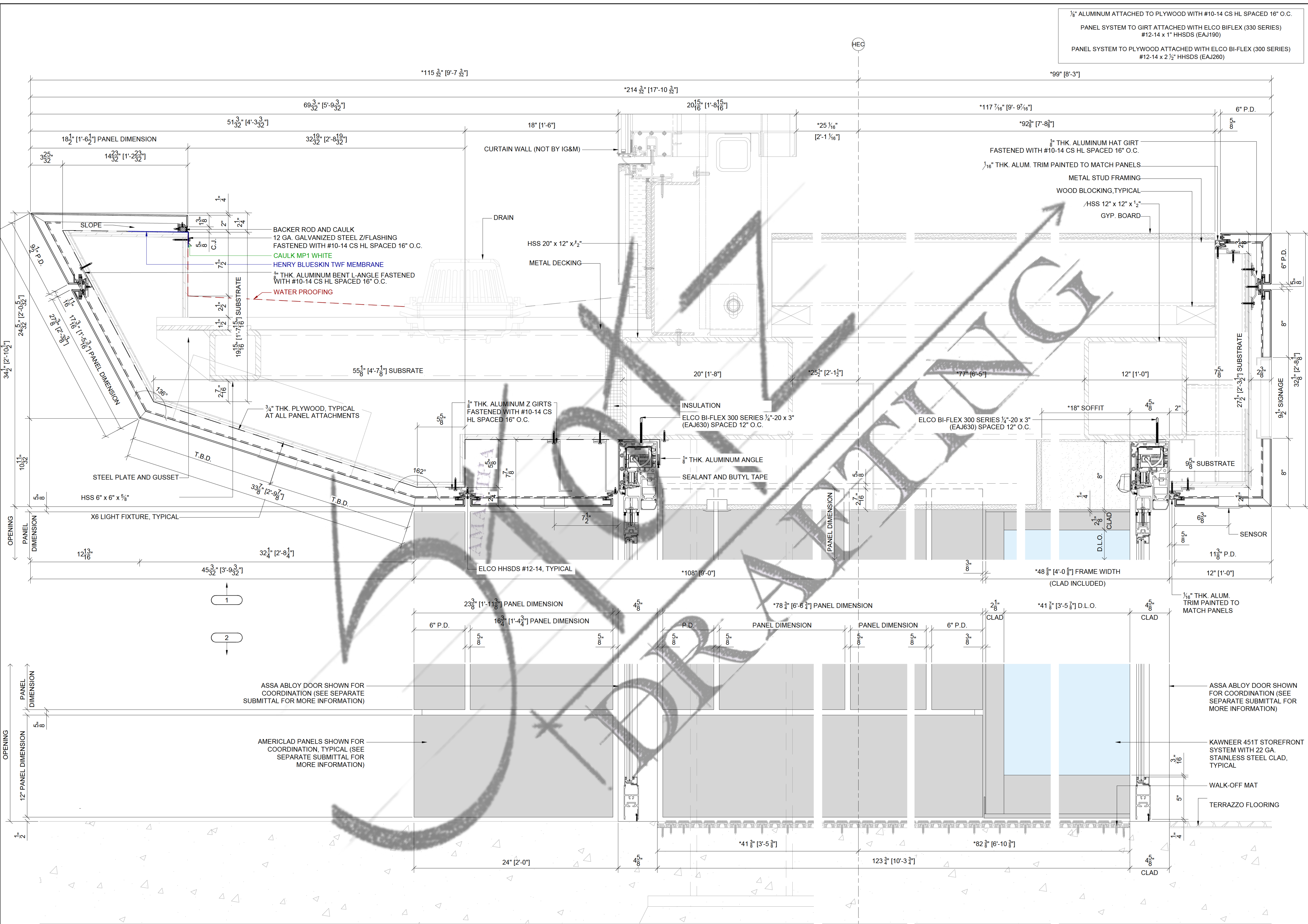
**NOTE TO CMT:**  
CMT TO CONFIRM SUMP PUMP, HOSE BIB AND DRAIN LOCATIONS FALL WITHIN THE PLYWOOD PARAMETERS.

**NOTE TO CMT:**  
CMT TO CONFIRM DEPTH OF CURTAIN WALL SYSTEM ON EITHER SIDE OF THE VESTIBULE AND CW OPENING.

**NOTE TO CMT:**  
CMT TO PROVIDE APPROVED LIGHT FIXTURE PRODUCT DATA FOR D44FOR COORDINATION WITH PANELS.

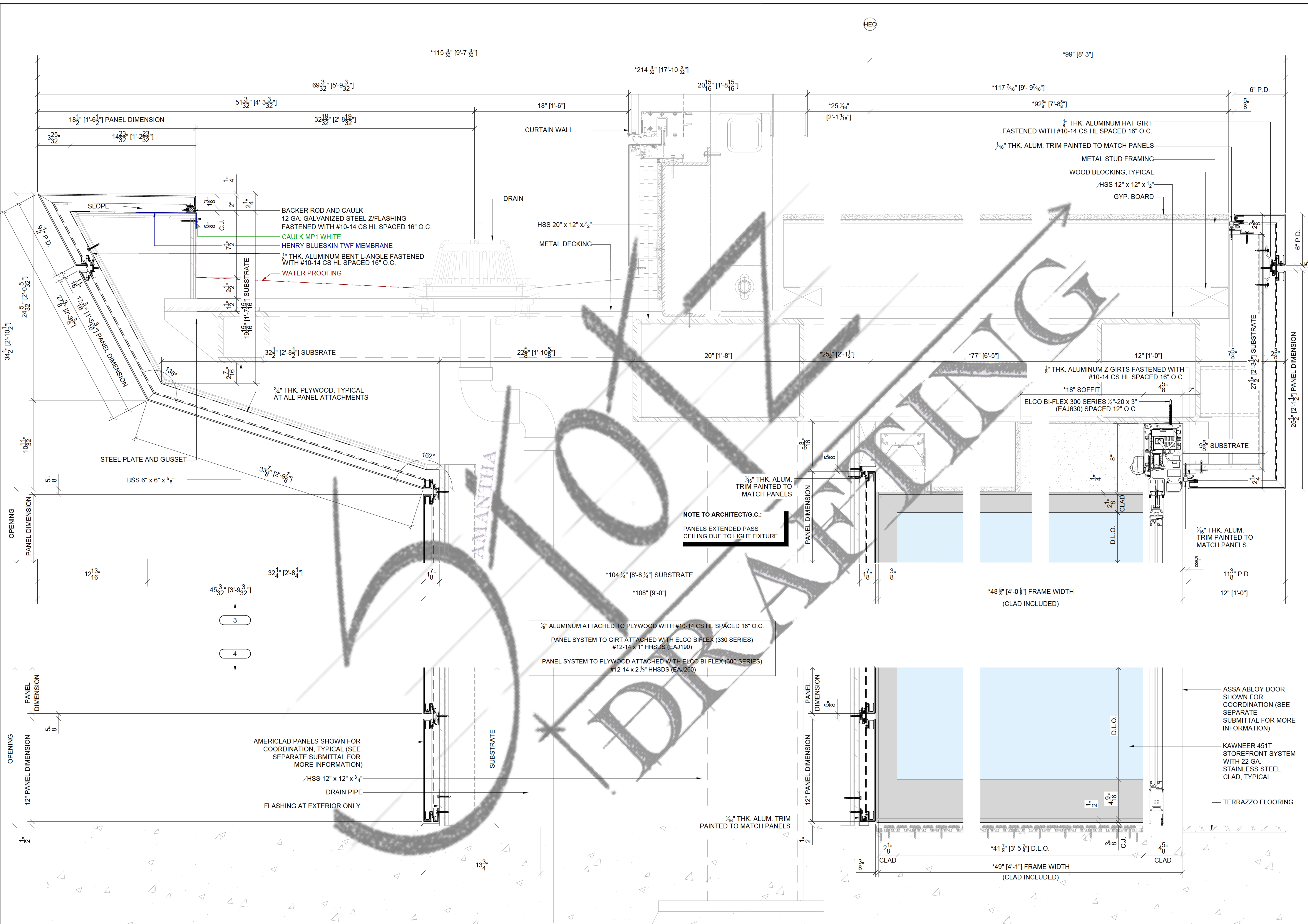
SAMPLE DRAWINGS

1/8" ALUMINUM ATTACHED TO PLYWOOD WITH #10-14 CS HL SPACED 16" O.C.  
 PANEL SYSTEM TO GIRT ATTACHED WITH ELCO BIFLEX (330 SERIES)  
 #12-14 x 1" HHSDS (EAJ190)  
 PANEL SYSTEM TO PLYWOOD ATTACHED WITH ELCO BI-FLEX (300 SERIES)  
 #12-14 x 2 1/2" HHSDS (EAJ260)



SAMPLE DRAWINGS

TITLE:	VESTIBULE HH1-275 DETAILS
SCALE:	3" = 1'-0"
SHEET #:	300



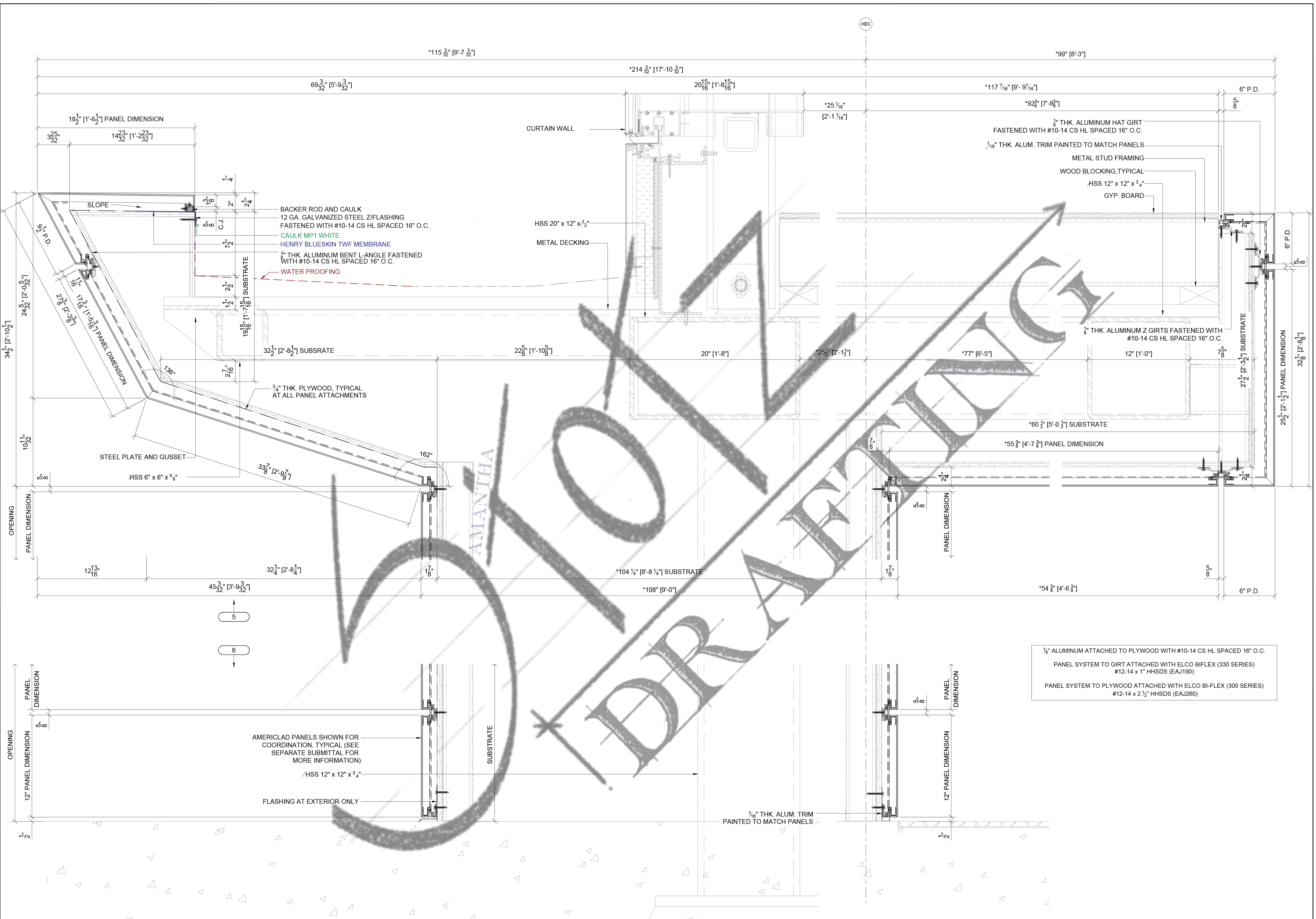
**NOTE TO ARCHITECT/G.C.:**  
 PANELS EXTENDED PASS  
 CEILING DUE TO LIGHT FIXTURE.

1/8" ALUMINUM ATTACHED TO PLYWOOD WITH #10-14 CS HL SPACED 16" O.C.  
 PANEL SYSTEM TO GIRT ATTACHED WITH ELCO BIFLEX (330 SERIES)  
 #12-14 x 1" HHSDS (EAJ190)  
 PANEL SYSTEM TO PLYWOOD ATTACHED WITH ELCO BI-FLEX (300 SERIES)  
 #12-14 x 2 1/2" HHSDS (EAJ260)

AMERICLAD PANELS SHOWN FOR  
 COORDINATION, TYPICAL (SEE  
 SEPARATE SUBMITTAL FOR  
 MORE INFORMATION)  
 /HSS 12" x 12" x 3/4"  
 DRAIN PIPE  
 FLASHING AT EXTERIOR ONLY

ASSA ABLOY DOOR  
 SHOWN FOR  
 COORDINATION (SEE  
 SEPARATE  
 SUBMITTAL FOR MORE  
 INFORMATION)  
 KAWNEER 451T  
 STOREFRONT SYSTEM  
 WITH 22 GA.  
 STAINLESS STEEL  
 CLAD, TYPICAL  
 TERRAZZO FLOORING

SAMPLE DRAWINGS



SAMPLE DRAWINGS

1/2" ALUMINUM ATTACHED TO PLYWOOD WITH #10-14 CS HL SPACED 16" O.C.  
 PANEL SYSTEM TO GIRT ATTACHED WITH ELCO BIFLEX (330 SERIES)  
 #12-14 x 1" HHSDS (EAJ190)  
 PANEL SYSTEM TO PLYWOOD ATTACHED WITH ELCO BI-FLEX (300 SERIES)  
 #12-14 x 2 1/2" HHSDS (EAJ260)

TITLE:	VESTIBULE HH1-275 DETAILS
SCALE:	3" = 1'-0"
SHEET #:	302

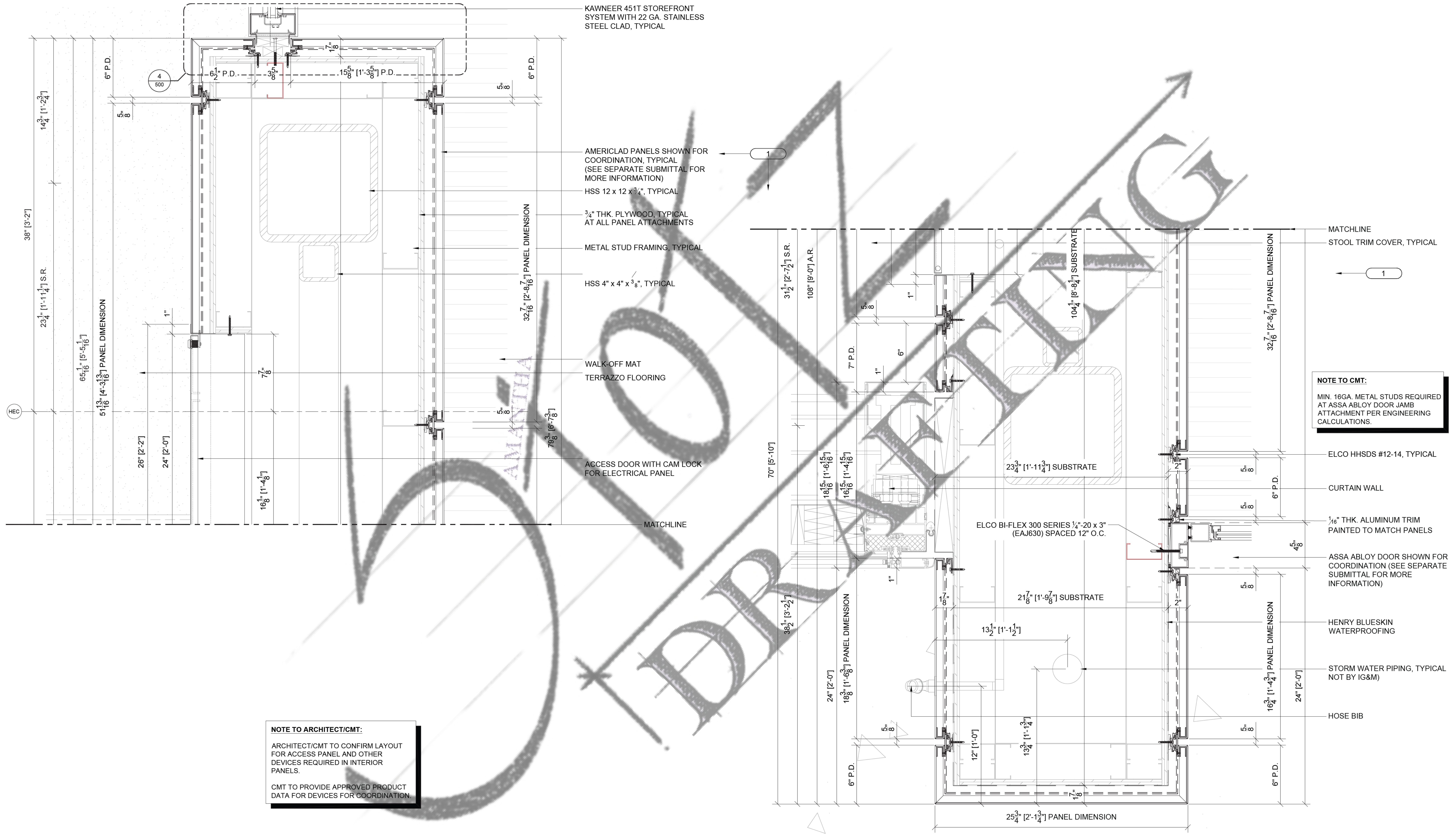




1/8" ALUMINUM ATTACHED TO PLYWOOD WITH #10-14 CS HL SPACED 16" O.C.  
 PANEL SYSTEM TO GIRT ATTACHED WITH ELCO BIFLEX (330 SERIES)  
 #12-14 x 1" HHSDS (EAJ190)  
 PANEL SYSTEM TO PLYWOOD ATTACHED WITH ELCO BI-FLEX (300 SERIES)  
 #12-14 x 2 1/2" HHSDS (EAJ260)

**NOTE TO CMT:**  
 CMT TO CONFIRM SUMP PUMP, HOSE BIB AND DRAIN LOCATIONS FALL WITHIN THE PLYWOOD PARAMETERS.

**NOTE TO CMT:**  
 CMT TO CONFIRM DEPTH OF CURTAIN WALL SYSTEM ON EITHER SIDE OF THE VESTIBULE AND CW OPENING.

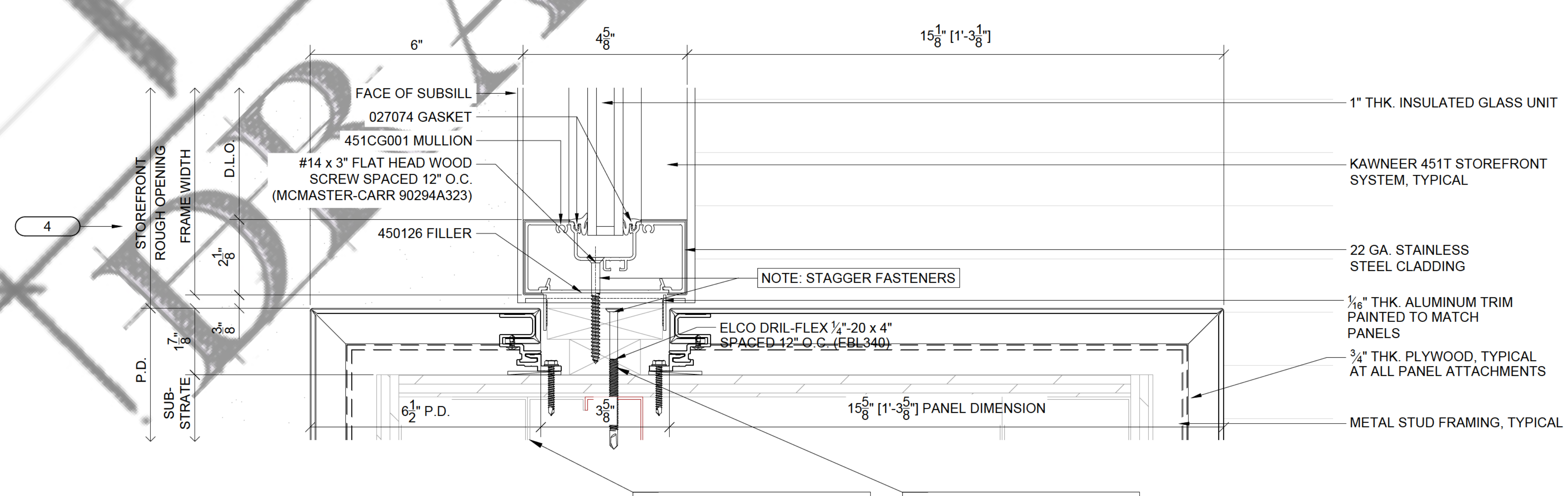
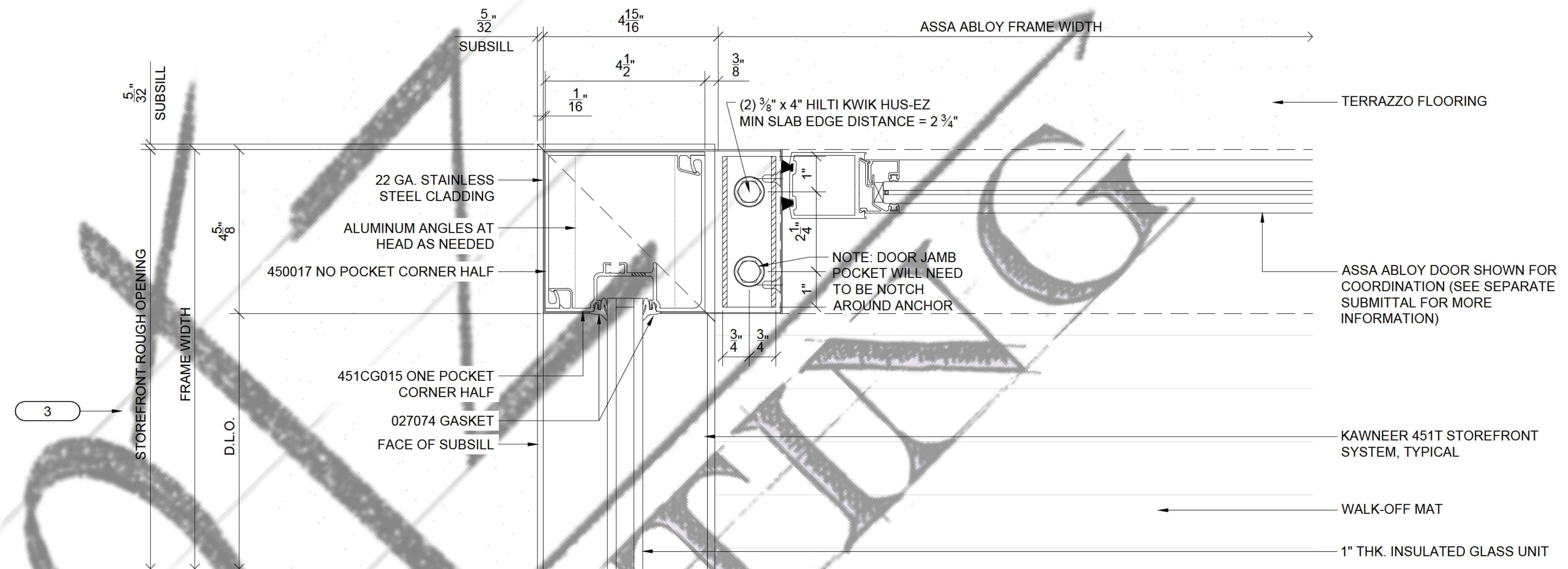
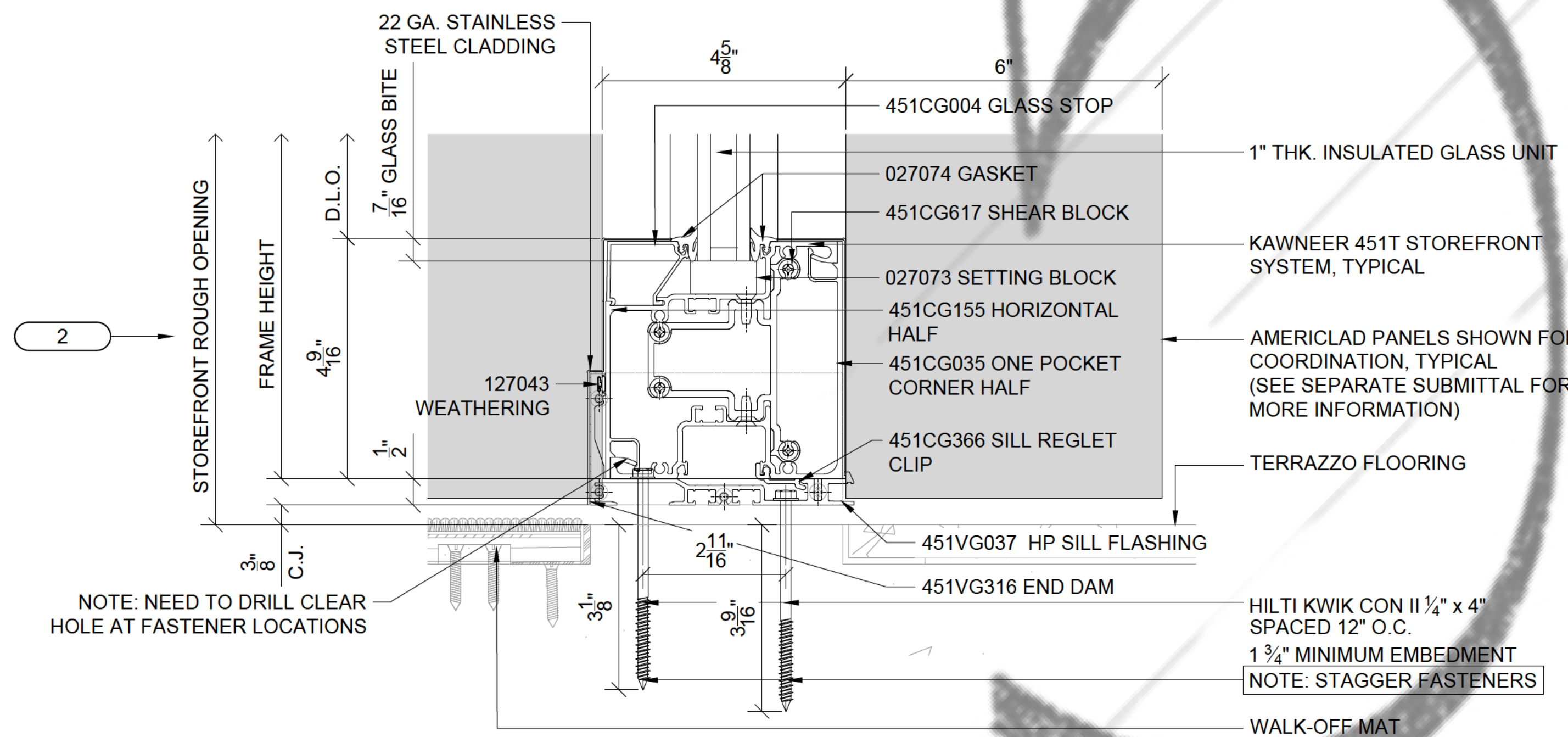
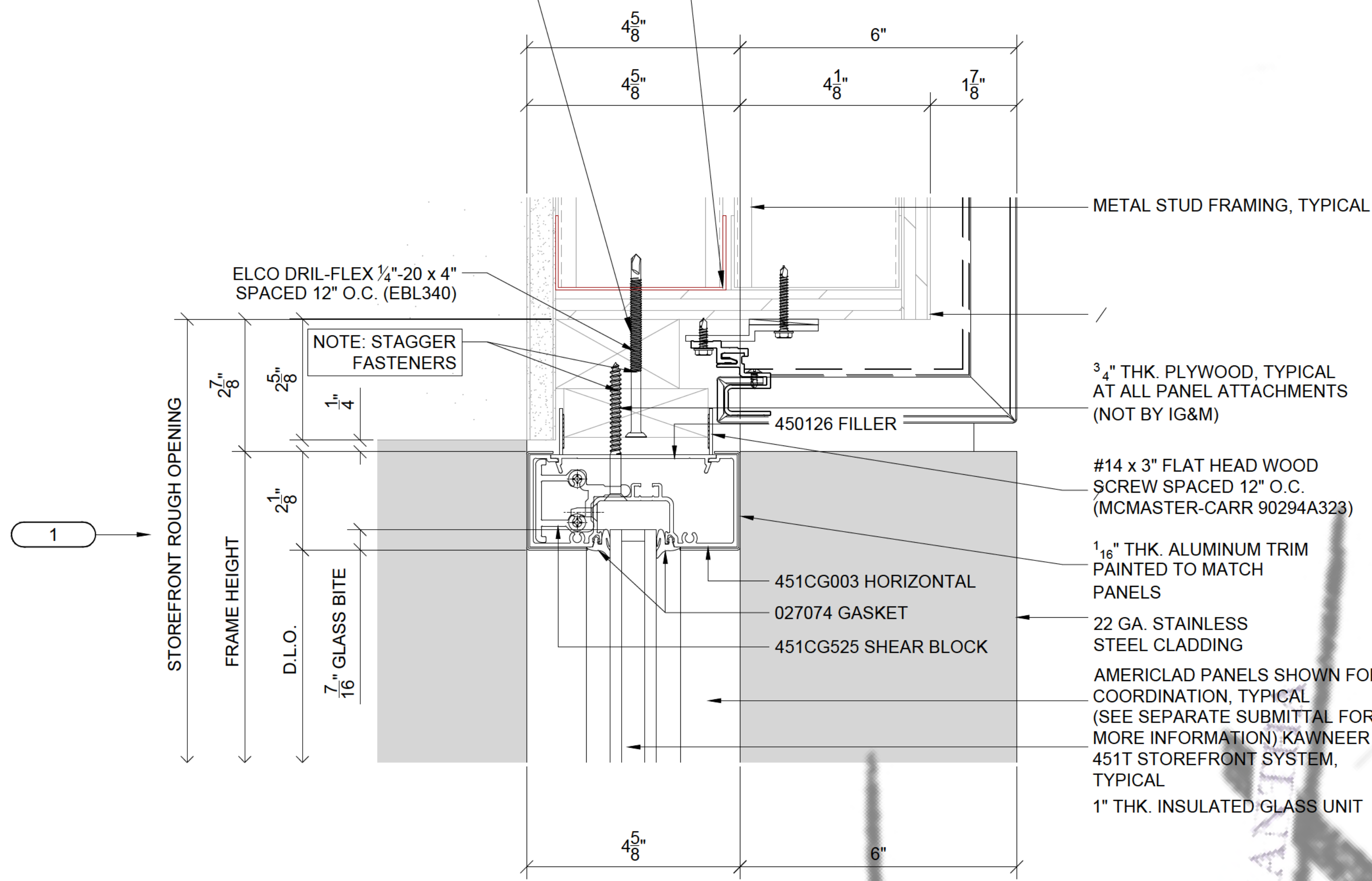


**NOTE TO ARCHITECT/CMT:**  
 ARCHITECT/CMT TO CONFIRM LAYOUT FOR ACCESS PANEL AND OTHER DEVICES REQUIRED IN INTERIOR PANELS.  
 CMT TO PROVIDE APPROVED PRODUCT DATA FOR DEVICES FOR COORDINATION

**NOTE TO CMT:**  
 MIN. 16GA. METAL STUDS REQUIRED AT ASSA ABLOY DOOR JAMB ATTACHMENT PER ENGINEERING CALCULATIONS.

**NOTE:**  
PRE-DRILL WOOD BLOCKING FOR SELF DRILLING FASTENER.

**NOTE TO CMT:**  
MIN. 16GA. METAL STUDS REQUIRED AT WOOD BLOCKING FOR STOREFRONT ATTACHMENT PER ENGINEERING CALCULATIONS.



**NOTE TO CMT:**  
MIN. 16GA. METAL STUDS REQUIRED AT WOOD BLOCKING FOR STOREFRONT ATTACHMENT PER ENGINEERING CALCULATIONS.

**NOTE:**  
PRE-DRILL WOOD BLOCKING FOR SELF DRILLING FASTENER.